



Roadranger®

More time on the road®

Illustrated Parts List

RTLO-18610B-T2
July 2011

For parts or service call us
Pro Gear & Transmission, Inc.



1 (877) 776-4600

(407) 872-1901

parts@eprogear.com

906 W. Gore St.

Orlando, FL 32805



Contents

| | |
|---|----|
| How To Use The Illustrated Parts List | 3 |
| AUXILIARY DRIVE GEAR..... | 4 |
| CASE (AUX) | 5 |
| CASE (FRONT) | 7 |
| COUNTERSHAFT & BRGS(AUX)..... | 9 |
| COUNTERSHAFT ASSY | 10 |
| FILTER REGULATOR..... | 11 |
| HEAT EXCHANGER | 12 |
| HOSES & CONNECTIONS | 13 |
| INPUT SHAFT & DRIVE GEAR | 15 |
| INTEGRAL OIL PUMP | 16 |
| ISOLATORS | 18 |
| KITS & ASSEMBLIES | 19 |
| LEVERS/HOUSINGS | 21 |
| MAINSHAFT & SYNCHRO(AUX)..... | 23 |
| MAINSHAFT ASSY | 24 |
| MISCELLANEOUS | 25 |
| OIL COOLER..... | 26 |
| RANGE CYLINDER..... | 27 |
| REVERSE IDLER..... | 28 |
| ROADRANGER VALVE | 31 |
| SHIFT BAR HOUSING (STD)..... | 32 |
| SPLITTER CYLINDER | 34 |
| TOP 2 VALVE | 35 |

How To Use The Illustrated Parts List

The information contained in this document is subject to frequent updates. Therefore, for the latest information available, please visit the interactive Electronic Parts Catalog at www.roadranger.com/epc.

Model Designation or Nomenclature

- For information regarding Model Designation and Nomenclature, visit www.roadranger.com.

Kits and Assemblies (K/A's)

- Kits and Assemblies contain groups of individual or assembled parts developed for optimal replacement or repair of a service problem.
- Kits and Assemblies are shown with applicable parts groupings in the parts listings.

Identifying Kits and Assemblies

A- Part numbers beginning with the letter 'A' are pre-assembled Production Assemblies

K- Part numbers beginning with the letter 'K' are kits that are not assembled

S- Part numbers beginning with the letter 'S' are pre-assembled Service Assemblies

- Note: Some Production Assemblies do not begin with a letter prefix (Midrange only).

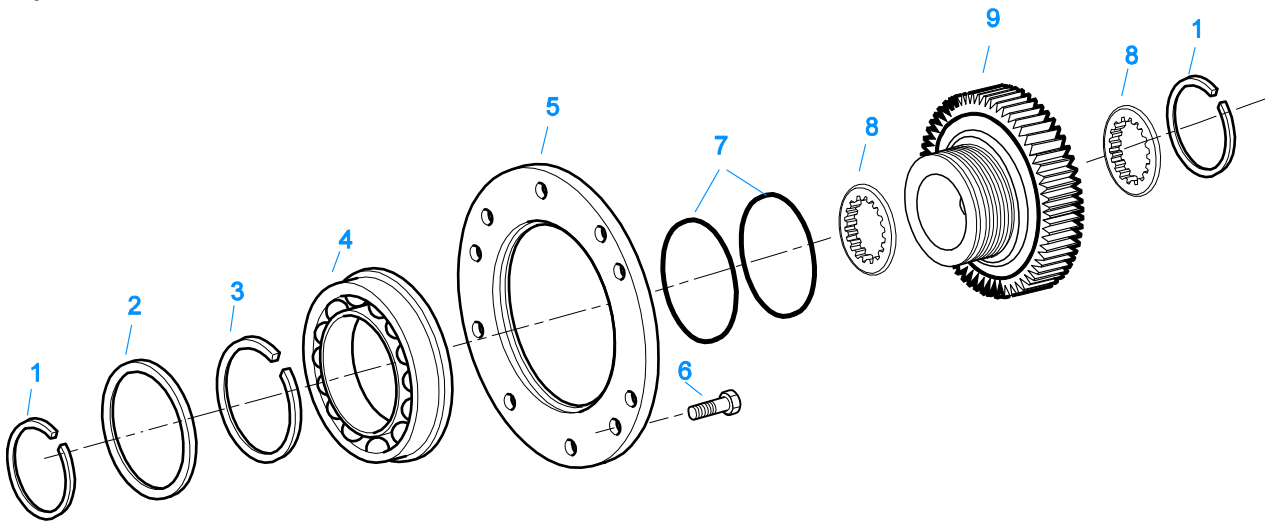
Illustrations

- Illustrations show parts in assembly groups.
- Item numbers on illustrations correspond with parts listings on pages adjacent to the illustration.
- Notes are included on illustrations where additional information is needed.

Parts Listing

Parts listings are defined by parts groupings and are broken down by service assemblies. Parts listings identify a part for servicing with the following categories

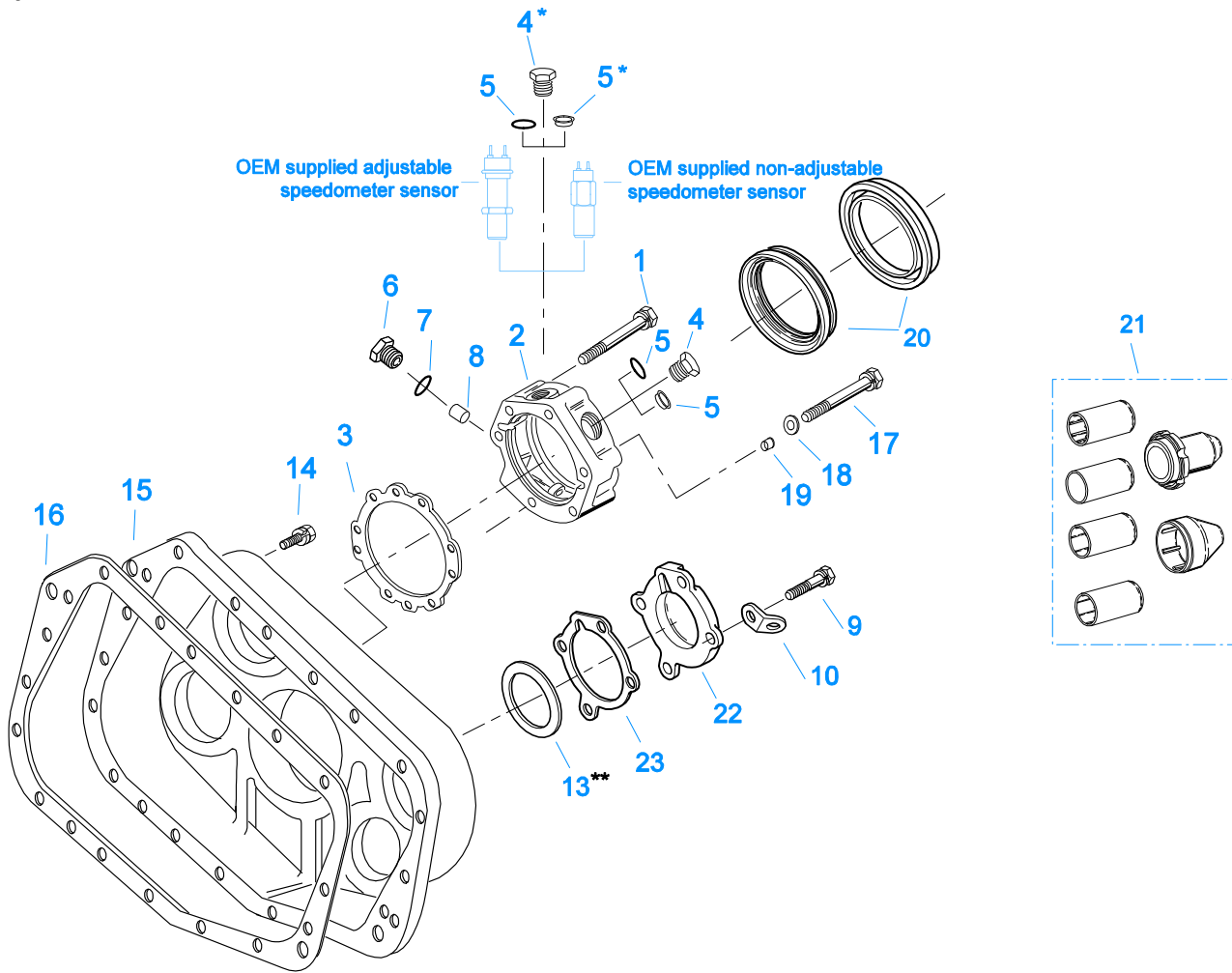
- **Item Number** - corresponding with numbers on illustrations for part identification.
- **Current Part** - identifies part as it is available for service.
- **Description** - specifies part name or description.
- **Replaced Part** - quantity quantity required for assembly.
- **Quantity** - defines unique characteristics or requirements.
- **Notes** - indicates Kits or Assemblies that contain a particular part.
- **Kits/Assy's Where Used**



10481-12/92 Aux DG

AUXILIARY DRIVE GEAR

| Item | Current Part | Description | Replaced Part | Qty. | Notes | Kits/Assys Where Needed |
|------|--------------|------------------------|-----------------|------|------------|------------------------------------|
| 1 | 16763 | SNAP RING | | 2 | | K-2756,K-2765,K-2773,K-3519,K-3522 |
| 2 | 21320 | SNAP RING RETAINER | | 1 | | K-3519,K-3522 |
| 3 | 16628 | SNAP RING | | 1 | | K-2756 |
| 4 | 5566507-BOX | BEARING | 5566504,5566507 | 1 | | K-2765,K-2773,K-3519,K-3522 |
| 5 | 16138 | BEARING RETAINER | | 1 | | |
| 6 | X-8-645 | CAPSCREW | X 8 612 | 6 | 3/8"-16X1" | |
| 7 | 17453 | -O- RING | | 2 | | K-2765,K-2773,K-3387 |
| 8 | 21599 | WASHER | | 2 | | |
| 9 | K-3387 | REPLT KIT - DRIVE GEAR | 4304594 | 1 | | |



* Note — Items 4 & 5 / Magnetic Speedometer Openings:
 Use 13679 "O" ring w/ OEM supplied adjustable speedometer sensor and
 20225 "O" ring w/ OEM supplied non-adjustable speedometer sensor or Eaton part #20224 Plug
 ** See Service Manual for Proper Shimming Procedure

11405-06-01

CASE (AUX)

| Item | Current Part | Description | Replaced Part | Qty. | Notes | Kits/Assys Where Needed |
|------|--------------|---------------------|---|------|---|--|
| 1 | X-8L-611 | CAPSCREW | | 5 | 3/8"-16X3-1/4" | |
| 2 | S-2119 | REAR BRG COVER ASSY | 20048 ,22045 ,4302009 ,4302031 ,S - 1558 S - 1560 | 1 | EXTENDED | |
| 3 | 15532 | GASKET | | 1 | | K-1603,K-2262,K- 2295,S-2119 S-2119,S-2937 |
| 4 | 20224 | PLUG-MAGNETIC | | 2 | | |
| 5 | 13679 | -O- RING | | 1 | USE W/OEM SUPPLIED ADJUSTABLE SPEEDOMETER SENSOR | |
| 5 | 20225 | -O- RING | | 2 | USE W/20224 PLUG OR OEM SUPPLIED NON-ADJUSTABLE SPEEDOMETER SENSOR NOT TO BE USED WITH 4301954 SEAL O-RING NOT REQUIRED | |
| 5 | 4301954 | SENSOR SEAL | | 2 | | S-2119 |
| 6 | 20226 | PLUG-MECHANICAL | 2237 | 1 | | S-2119,S-2937 |
| 7 | 14142 | -O- RING | | 1 | | S-2119,S-2937 |
| 8 | 7992 | BUSHING | | 1 | | S-2119 |
| 9 | X-8L-602 | CAPSCREW | | 8 | 3/8"-16X1-1/2" | |
| 10 | 20815 | LIFTING EYE | 17105 | 2 | | S-2956 |

| Item | Current Part | Description | Replaced Part | Qty. | Notes | Kits/Assys Where Needed |
|------|--------------|--------------------|-------------------|------|------------------------|------------------------------------|
| 13 | K-2430 | SHIM KIT | 21452 | 1 | | K-2765,K-2773,S-2937 |
| 14 | X-8L-602 | CAPSCREW | | 17 | 3/8"-16X1-1/2" | |
| 14 | X-8L-614 | CAPSCREW | | 2 | 3/8"-16X2" | |
| 15 | 4303592 | REAR HOUSING | | 1 | | |
| 16 | 14335 | GASKET | | 1 | | K-1603,K-2295,K-3518,S-2937,S-2956 |
| 17 | X-8-611 | CAPSCREW | | 1 | 3/8"-16X3-1/4" | |
| 18 | 17106 | GASKET | | 1 | | K-2262,K-2295,S-2119 |
| 19 | 19709 | COLLAR | | 1 | | K-1603,K-2262,K-2295,S-2119 |
| 20 | K-2262 | OIL SEAL W/SLINGER | 19109 20807 20808 | 1 | "FOR MECHANICAL COVER" | K-2765,K-2773 |
| 21 | K-3651 | OIL SEAL TOOL KIT | | 1 | | |
| 22 | 4302320 | COVER | 21346 | 2 | | S-2937,S-2956 |
| 23 | 4305978 | GASKET | 4302246 | 2 | | K-1603,K-2295,K-3518,S-2937,S-2956 |



10300B-8-00

* Bushing quantity requirements: #1 Housing – Upper bore use 4 #12815 / Lower bore use 2 #8677.

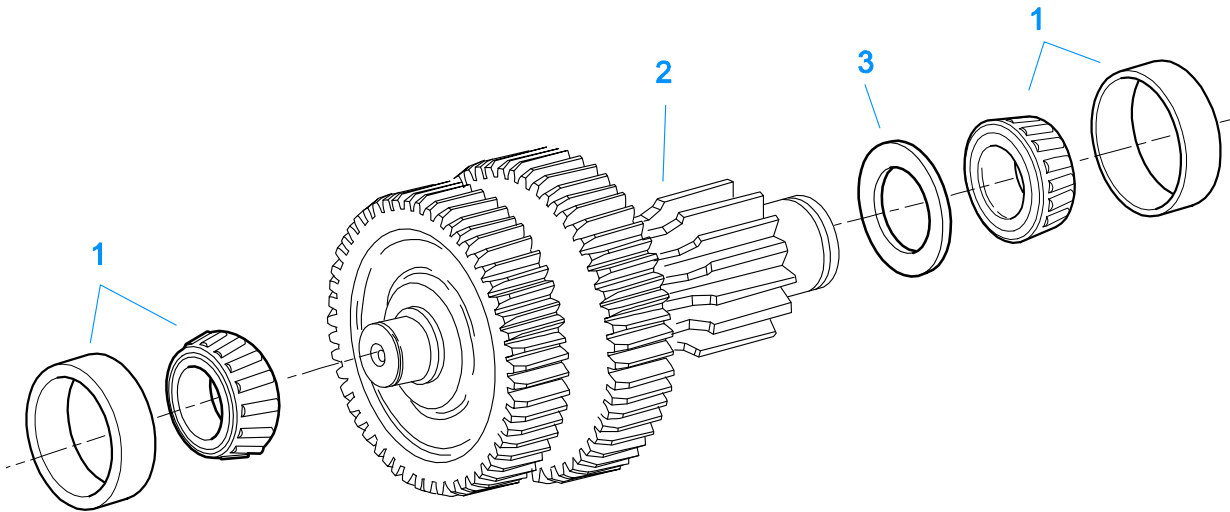
#2 Housing – Upper bore use 2 #12815 and 1 #8677 / Lower bore use 2 #8677.

Note: Some part requirements are specific to #1 or #2 Aluminum or Iron Clutch Housings and Push or Pull type Clutch.

CASE (FRONT)

| Item | Current Part | Description | Replaced Part | Qty. | Notes | Kits/Assys Where Needed |
|------|--------------|-----------------------|------------------------------|------|--|-------------------------|
| 1 | S-2062 | CASE ASSY | 4301790 | 1 | FOR USE W/INTEGRAL PUMP | |
| 2 | 4304023 | PLUG | 4303747 | 1 | 1-1/16" MAGNETIC, O-RING INCLUDED | |
| 2 | X-12-2007 | PIPE PLUG | X12 2006 | 1 | | |
| 3 | 4304023 | PLUG | 4303747 | 1 | 1-1/16" MAGNETIC, O-RING INCLUDED | |
| 3 | X-12-1207 | PIPE PLUG | X12 1202 ,X12 1206 | 1 | 3/4" MAGNETIC | |
| 4 | 4305310 | GASKET | 4302810 | 1 | | K-2295,K-3518 |
| 5 | 4302809 | PTO COVER | 16596,4300571 | 1 | | |
| 6 | X-8-725 | CAPSCREW | X 8 724 | 8 | 7/16"-14X7/8" | |
| 7 | 4306584 | CLUTCH HOUSING GASKET | 4304815,4305668 | 1 | | K-2295,K-3518 |
| 8 | A-3713 | CLUTCH HOUSING ASSY | A - 3700 | 1 | #1 PUSH-PULL IRON | |
| 8 | A-3723 | CLUTCH HOUSING ASSY | A - 3721 ,A - 3722 | 1 | #2 PUSH-PULL IRON | |
| 8 | A-5992 | CLUTCH HOUSING ASSY | 4301103 | 1 | #1 PULL ALUM.(SPECIAL-LIGHTER WEIGHT) | |
| 9 | 239614 | SCREW | X-8L-509 | 4 | 5/16-18X.81 QUANTITY DEPENDENT ON DESIGN | |
| 10 | 14506 | HAND HOLE COVER | | 1 | #2 PUSH | |
| 10 | 14507 | HAND HOLE COVER | | 1 | #2 PULL | |
| 10 | 4305230 | HAND HOLE COVER | 11453 | 1 | #1 PULL | |
| 10 | 4305231 | HAND HOLE COVER | 1565 | 1 | #1 PUSH | |
| 11 | 4306583 | STUD | 5966 | 6 | | |
| 12 | X-10-1005 | WASHER | X 3 1000 ,X10 1000 ,X10 1004 | 6 | 1.23 X 6.60 | |
| 13 | X-1-1012 | HEX NUT | X-1-1005 | 6 | .625-18 | |
| 14 | 20550 | FRONT BRG COVER | | 1 | 2" PULL | |
| 15 | X-8L-604 | CAPSCREW | | 6 | 3/8"-16X1-1/4" | |
| 16 | 20549 | FRONT BRG COVER | | 1 | 2" PUSH | |
| 17 | 14311 | GASKET | | 1 | | K-2295,K-3518 |

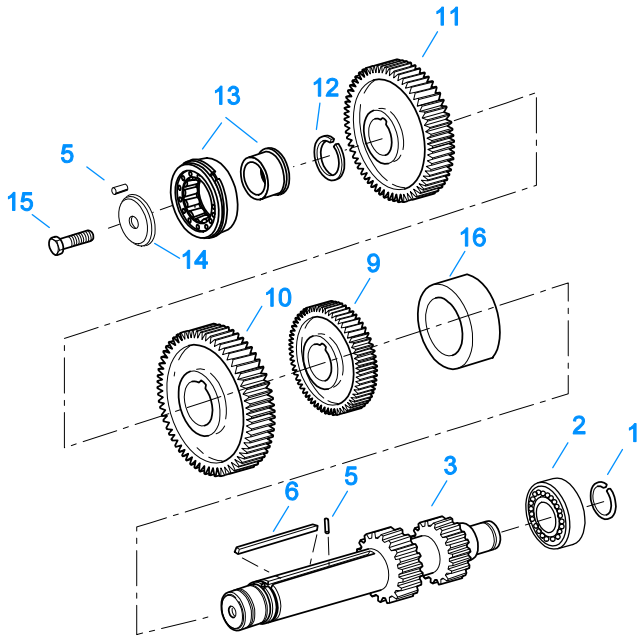
| Item | Current Part | Description | Replaced Part | Qty. | Notes | Kits/Assys Where Needed |
|------|--------------|-------------------------------|---------------------------------|------|---|-------------------------|
| 18 | 12815 | BUSHING | | 4 | FOR #1 HOUSING UPPER | A-3713,A-3723,A-5992 |
| 18 | 12815 | BUSHING | | 2 | FOR #2 HOUSING UPPER | A-3713,A-3723,A-5992 |
| 18 | 8677 | BUSHING | | 1 | FOR #2 HOUSING UPPER | A-3713,A-3723 |
| 19 | 8677 | BUSHING | | 2 | FOR #1 AND #2 HOUSING LOWER | A-3713,A-3723 |
| 20 | X-8C-830 | HEX HEAD SCREW/WASHER ASSY | X-8C-826 | 4 | .500-13 X 1.490, USE 2 PCS FOR IRON HOUSING, USE 4 PCS FOR ALUMINUM HOUSING | |
| 20 | X-8C-831 | HEX HEAD SCREW/WASHER ASSY | X-8C-822 | 2 | .500-13 X 3.460, FOR IRON HOUSING | |
| 22 | X-8-686 | CAPSCREW | | 6 | 3/8"-16X3/4" | |
| 23 | 14575 | PTO COVER | 4302254 | 1 | | |
| 24 | 4305309 | GASKET | 1684 | 1 | | K-2295,K-3518 |
| 27 | 14373 | MAGNET | | 3 | | S-2062 |
| 28 | 18128 | PIN | | 2 | | |
| 29 | X-1-1012 | HEX NUT | | 2 | .625-18 | |
| 30 | X-10-1005 | WASHER | X 3 1000 ,X10 1000 ,X10 1004 | 2 | 1.23 X 6.60 | |
| 31 | 14554 | STUD | 1632 ,6579 | 2 | 5/8" X 2-3/16" | |
| 36 | 23104 | PLUG | 1712 | 2 | | |
| 37 | X-8-1005 | CAPSCREW | | 2 | 5/8"-11X1-1/4" | |
| 38 | 20814 | SPACER | | 2 | | |
| 39 | X-12-802 | PIPE PLUG | X12 800 | 1 | 1/2" | |



10441-4/92 Aux CS 13/18 spd

COUNTERSHAFT & BRGS(AUX)

| Item | Current Part | Description | Replaced Part | Qty. | Notes | Kits/Assys Where Needed |
|------|--------------|--------------------------|---------------|------|---------------------------------------|-----------------------------|
| 1 | 4302074-BOX | BEARING | 21343,4302074 | 4 | | K-2765,K-2773,K-3519,K-3522 |
| 2 | A-6958 | WELDED COUNTERSHAFT ASSY | | 2 | C/S 4301398 - D/G 4304596 S/G 4302067 | |
| 3 | 4300184 | SPACER | | 2 | | |



10343-11/92 CS-LO Inertia

COUNTERSHAFT ASSY

| Item | Current Part | Description | Replaced Part | Qty. | Notes | Kits/Assys Where Needed |
|------|--------------|---------------------|------------------------------|------|------------------------------|------------------------------------|
| 1 | 14317 | SNAP RING | | 2 | | K-2756,K-2765,K-2773,K-3519,K-3522 |
| 2 | 14366 | BEARING | | 2 | | K-2765,K-2773,K-3519,K-3522 |
| 3 | K-2932 | CNTRSHFT W/REV & LO | 4301395 ,4303966 ,4303967 | 2 | | |
| 5 | 62511 | ROLL PIN | | 4 | ROLL PINS NO LONGER REQUIRED | A-6340 |
| 6 | 4303968 | KEY | | 2 | | |
| 9 | 4304592 | 2ND GEAR-CNTRSHFT | | 2 | | |
| 10 | 15953 | PTO GEAR - LOWER | | 1 | | |
| 10 | 20840 | PTO GEAR - UPPER | 15952 | 1 | | |
| 11 | 4304590 | DRIVE GEAR-CNTRSHFT | | 2 | | |
| 12 | 19198 | SNAP RING | | 2 | | |
| 13 | 4304599 | BEARING | 4302677 4304598 | 2 | | K-2765,K-2773,K-3519,K-3522 |
| 14 | 4304605 | RETAINER | 19548 | 2 | | |
| 15 | X-7-1005 | CAPSCREW | | 2 | 5/8"-18X1-3/4" | |
| 16 | 4303964 | SPACER | | 2 | | |

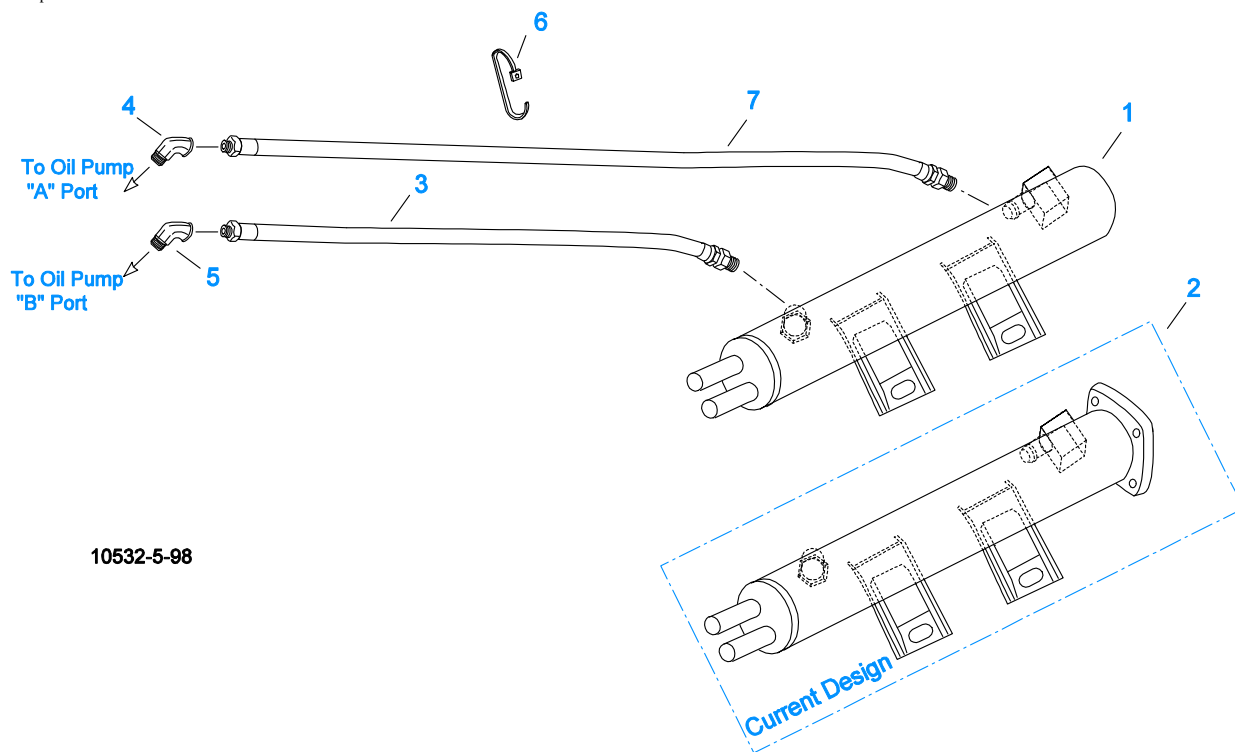
Group: FILTER REGULATOR



FILTER REGULATOR

| Item | Current Part | Description | Replaced Part | Qty. | Notes | Kits/Assys Where Needed |
|------|--------------|----------------------|---------------|------|----------------------|-------------------------|
| 1 | K-2170 | FILTER REG KIT | A - 5454 | 1 | | |
| 2 | K-1698 | -O- RING/ELEMENT KIT | | 1 | FOR FILTER REGULATOR | |
| 3 | X-8C-412 | CAPSCREW | X 8S 412 | 2 | 1/4"-20X2-1/4" | |

Group: HEAT EXCHANGER

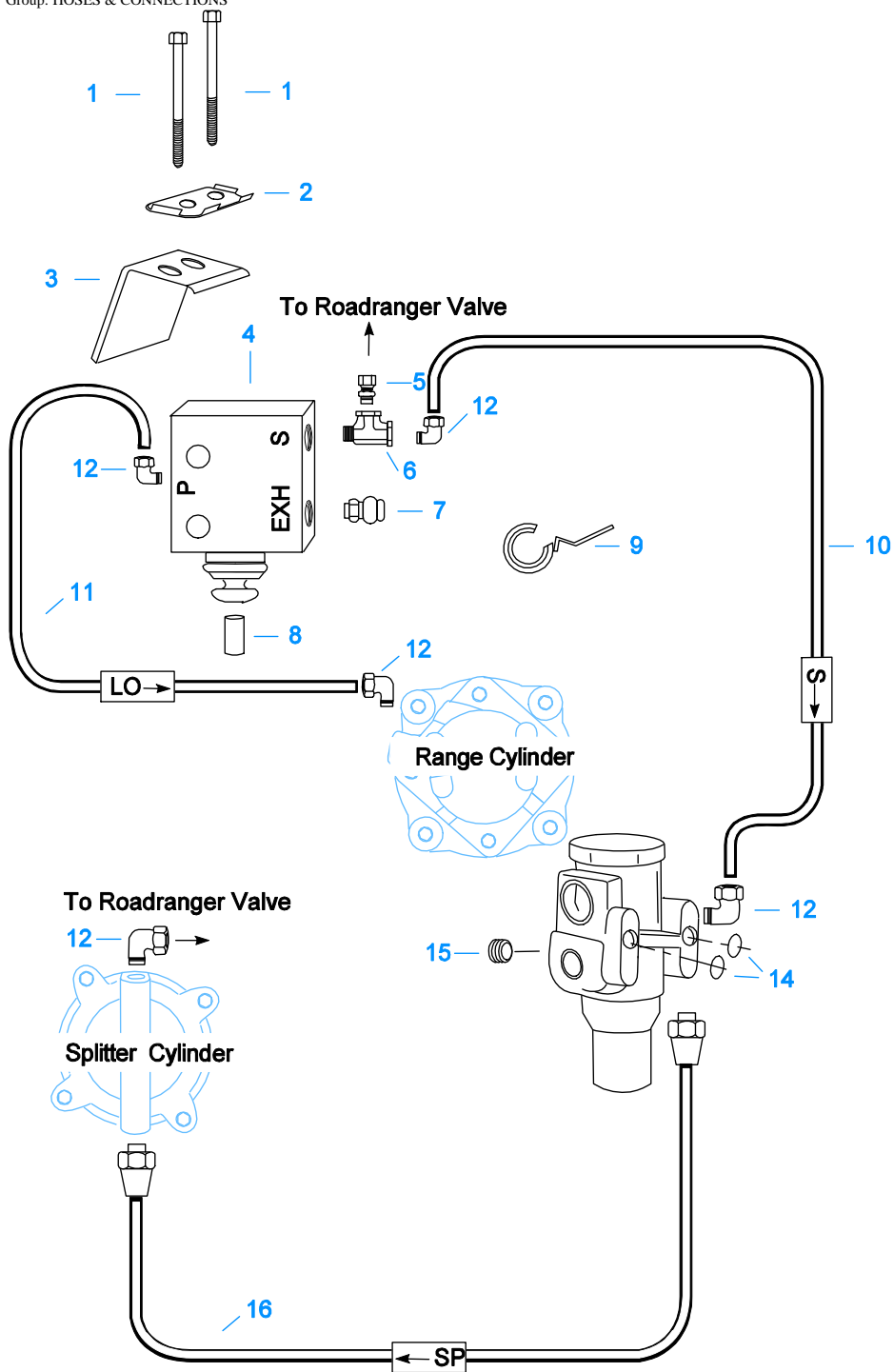


10532-5-98

HEAT EXCHANGER

| Item | Current Part | Description | Replaced Part | Qty. | Notes | Kits/Assys Where Needed |
|------|--------------|--------------------|-------------------------|------|--|-------------------------|
| 1 | K-3963 | HEAT EXCHANGER KIT | 5586600,K-3620 | 1 | MUST USE WHEN REPLACING 5586600 HEAT EXCHANGER WITH 5/8" PORTS, 5/8" TO 3/4" ADAPTERS ARE INCLUDED IN THIS KIT | |
| 2 | K-3952 | HEAT EXCHANGER KIT | 5586612,5586625,5586641 | 1 | 3/4" PORTS | |
| 3 | 5586641 | HEAT EXCHANGER | | 1 | | K-3952,K-3963 |
| 3 | 5588101 | OIL HOSE ASSEMBLY | 5586901 | 1 | 14.5" | |
| 4 | 4304076 | ELBOW | | 1 | | |
| 5 | 4301123 | ELBOW | | 1 | | |
| 6 | 21425 | STRAP | | 2 | | |
| 7 | 5588102 | OIL HOSE ASSEMBLY | 5586902 | 1 | 26.5" | |

Group: HOSES & CONNECTIONS



10116A-5/93 Super10 HC

HOSES & CONNECTIONS

| Item | Current Part | Description | Replaced Part | Qty. | Notes | Kits/Assys Where Needed |
|------|--------------|--------------------|---------------|------|-------------------------------|-------------------------|
| 1 | X-8-434 | CAPSCREW | | 2 | 1/4"-20X2" | |
| 2 | 22818 | LOCKWASHER | | 1 | | |
| 3 | 22817 | RETAINER PLATE | | 1 | | |
| 4 | K-3121 | AIR VALVE CONV KIT | 23545 | 1 | | |
| 5 | 84002 | CONNECTOR ASSY | 82502 | 1 | 1/8" TUBE-1/8" NPTF | |
| 5 | 84004 | CONNECTOR ASSY | 82504 | 1 | 5/32" TUBE-1/8" NPTF | |
| 5 | 84006 | CONNECTOR ASSY | | 1 | "PUSH-TO-CONNECT" 5/32" TUBE- | K-3121, K-3198 |

| Item | Current Part | Description | Replaced Part | Qty. | Notes | Kits/Assys Where Needed |
|------|--------------|-------------|---------------|------|--------------------------------------|------------------------------------|
| 6 | 22870 | TEE | | 1 | 1/8"NPTF | |
| 7 | 7935 | BREATHER | | 1 | | K-3198 |
| 8 | 4301989 | PIN | 22813 | 1 | | |
| 9 | 19727 | HOSE CLAMP | | 2 | | |
| 10 | 75120 | NYLON TUBE | | 1 | 5/32" | |
| 11 | 75320 | NYLON TUBE | 5546014 | 1 | 5/32" | |
| 12 | 85001 | ELBOW ASSY | 84501 | 5 | 5/32"TUBE-1/8"NPTF | |
| 12 | 85002 | ELBOW ASSY | 84502 | 5 | 1/8"TUBE-1/8"NPTF | |
| 12 | 85003 | ELBOW ASSY | | 5 | "PUSH-TO-CONNECT" 5/32"TUBE-1/8"NPTF | K-2765,K-3121,K-3198,K-3333,K-3334 |
| 14 | 15114 | -O- RING | | 2 | | K-2170,K-2295,K-3334 |
| 15 | X-12-208 | PIPE PLUG | | 1 | 1/8" NPT | |
| 16 | 55527 | HOSE ASSY | | 1 | 15" | |



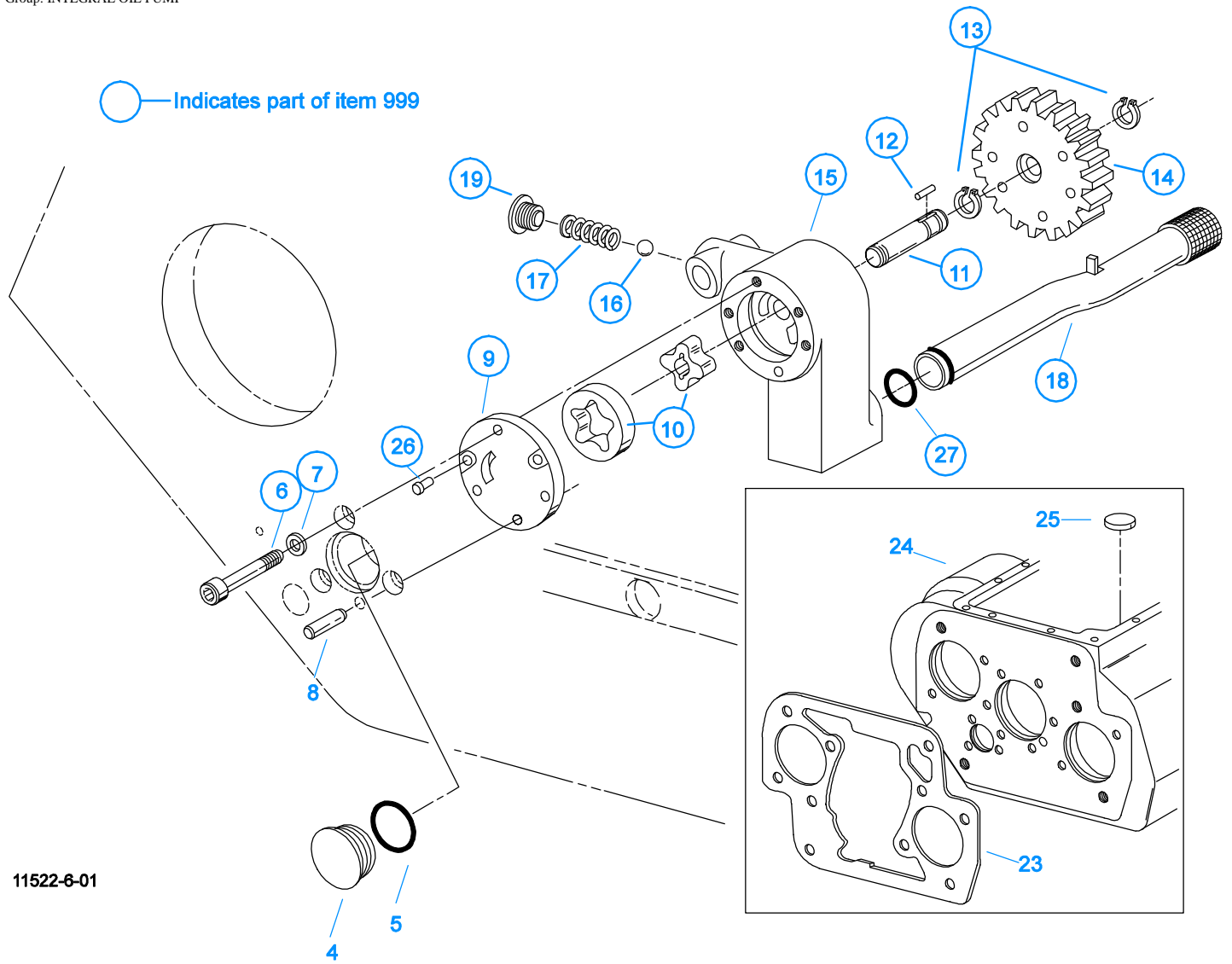
* For Shipping Only -- Do Not Replace

*

10370-1/92 IS

INPUT SHAFT & DRIVE GEAR

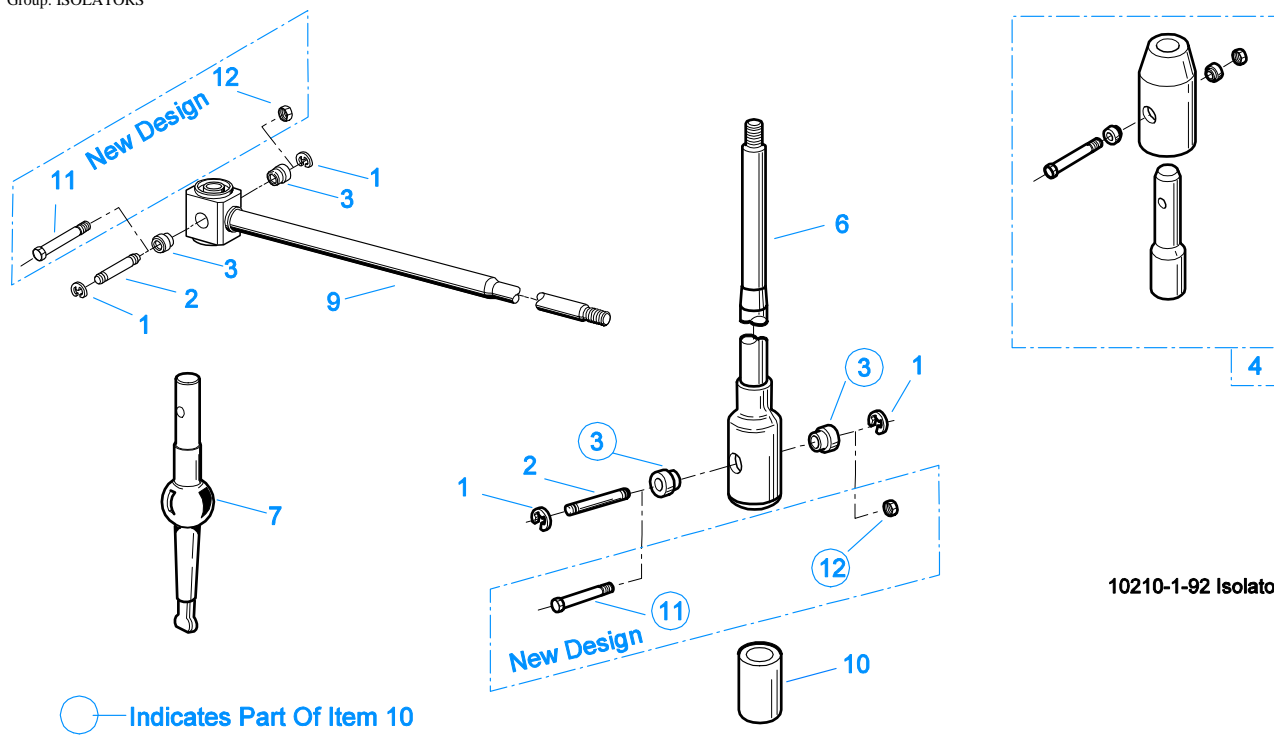
| Item | Current Part | Description | Replaced Part | Qty. | Notes | Kits/Assys Where Needed |
|------|--------------|-----------------|----------------------|------|---------------------------|------------------------------------|
| 1 | 23559 | SHIPPING SEAL | | 1 | NOT SOLD FOR SERVICE | |
| 2 | 16980 | SNAP RING | | 1 | | K-2756,K-2765,K-2773,K-3519 |
| 3 | 81504 | BEARING | | 1 | | K-2765,K-2773,K-3519,K-3522 |
| 4 | 16463 | SPACER | | 1 | | |
| 5 | 14750 | SNAP RING | | 1 | | K-2756,K-2765,K-2773,K-3519,K-3522 |
| 6 | 4304588 | MAIN DRIVE GEAR | | 1 | | |
| 8 | S-1659 | INPUT SHAFT | 20535 23566 ,4302661 | 1 | 2" PULL - USE W/FBC 20550 | K-2765,K-3519 |
| 8 | S-1660 | INPUT SHAFT | 20536 ,23567 | 1 | 2" PUSH - USE W/FBC 20549 | |
| 9 | 16566 | BUSHING | | 1 | | K-2773,K-3522,S-1659,S-1660 |



INTEGRAL OIL PUMP

| Item | Current Part | Description | Replaced Part | Qty. | Notes | Kits/Assys Where Needed |
|------|--------------|-----------------|--|------|----------------|-------------------------|
| 4 | 20823 | PLUG | | 1 | | |
| 5 | 14765 | -O- RING | | 1 | | K-2297,K-2298 |
| 6 | X-8-448 | SCREW | X 8 445 | 3 | 1/4"-20X1-1/4" | K-3367 |
| 7 | 20824 | WASHER | | 3 | | |
| 8 | 20825 | DOWEL PIN | | 1 | | |
| 9 | 4303773 | RETAINER | | 1 | | |
| 10 | K-3367 | OIL PUMP KIT | 4301829 ,4301948 ,4303776 ,4304529 ,4304572 A - 6963 ,A - 7173 | 1 | | |
| 11 | K-3367 | OIL PUMP KIT | 4301829 ,4301948 ,4303776 ,4304529 ,4304572 A - 6963 ,A - 7173 | 1 | | |
| 12 | 20509 | KEY | | 1 | | |
| 13 | 14853 | SNAP RING | | 2 | | |
| 14 | 4303774 | PUMP DRIVE GEAR | 4304880 | 1 | | |
| 15 | K-3367 | OIL PUMP KIT | 4301829 ,4301948 ,4303776 ,4304529 ,4304572 A - 6963 ,A - 7173 | 1 | | |
| 16 | X-14-700 | STEEL BALL | | 1 | 7/16" | |

| Item | Current Part | Description | Replaced Part | Qty. | Notes | Kits/Assys Where Needed |
|------|--------------|-----------------------|---|------|---------------------------------|-------------------------|
| 17 | 4303775 | SPRING | | 1 | | |
| 18 | 4305713 | SUCTION TUBE | 4304628 | 1 | O-RING INCLUDED ON SUCTION TUBE | K-3367 |
| 19 | 4304629 | PLUG | | 1 | | |
| 23 | 4306584 | CLUTCH HOUSING GASKET | 4304815,4305668 | 1 | | K-2295,K-3518 |
| 24 | S-2062 | CASE ASSY | 4301790 | 1 | FOR USE W/INTEGRAL PUMP | |
| 25 | 14373 | MAGNET | | 3 | | S-2062 |
| 26 | X-8-447 | SCREW | | 2 | | |
| 27 | 20225 | -O- RING | | 1 | | |
| 999 | K-3367 | OIL PUMP KIT | 4301829 ,4301948 ,4303776 ,4304529 ,4304572 A - 6963 ,A - 7173 | 1 | | |



10210-1-92 Isolator

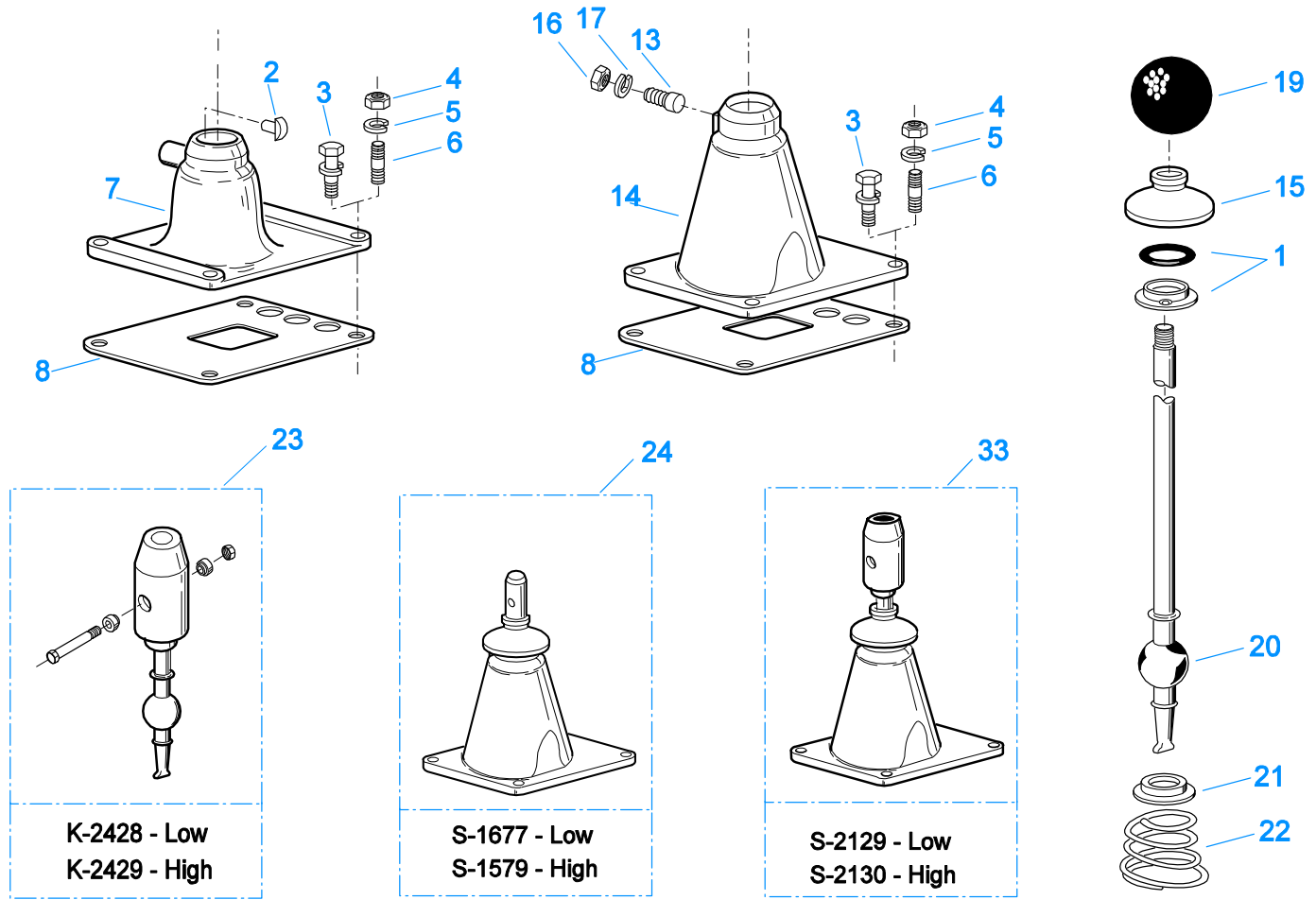
ISOLATORS

| Item | Current Part | Description | Replaced Part | Qty. | Notes | Kits/Assys Where Needed |
|------|--------------|----------------------|---------------|------|-----------------|---|
| 1 | 19124 | -E- RING | | 2 | | |
| 2 | K-3467 | PIN REPLACEMENT KIT | 21245 | 1 | | |
| 3 | 21246 | BUSHING | | 2 | | K-2003,K-2428,K-2429,K-3399,S-2129,S-2130 |
| 4 | S-1794 | ISOLATOR ASSY | | 1 | | |
| 6 | 21247 | LEVER | | 1 | STRAIGHT 18.67" | |
| 7 | 21235 | STUB LEVER | | 1 | LOW TOWER | K-2428,S-1677 |
| 7 | 21236 | STUB LEVER | | 1 | HIGH TOWER | K-2429,S-1579,S-2130 |
| 9 | 21767 | 90 DEG LEVER | | 1 | STRAIGHT 33" | |
| 10 | K-3399 | ISOLATOR BUSHING KIT | 21244 ,23311 | 1 | | |
| 11 | X-8-560 | SCREW | | 1 | | |
| 12 | X-9-503 | NUT | | 1 | | |

KITS & ASSEMBLIES

| Item | Current Part | Description | Replaced Part | Qty. | Notes | Kits/Assys Where Needed |
|--------|--------------|---------------------------------|---|------|--|-------------------------|
| K-1476 | | SHIFT LEVER HSG | 4530 ,17163 ,18298 ,4304905 ,A - 4437 | 1 | LOW TOWER | |
| K-1603 | | GASKET KIT | | 1 | FOR AUXILIARY SECTION | |
| K-1698 | | -O- RING/ELEMENT KIT | | 1 | FOR FILTER REGULATOR | |
| K-1956 | | COOLER INSTLN KIT | | 1 | | |
| K-2003 | | PIN & BUSHING KIT | | 1 | | |
| K-2078 | | -O- RING KIT - SPLITTER | | 1 | SPLITTER | |
| K-2170 | | FILTER REG KIT | A - 5454 | 1 | | |
| K-2262 | | OIL SEAL W/SLINGER | 19109 20807 20808 | 1 | "FOR MECHANICAL COVER" | K-2765,K-2773 |
| K-2295 | | GASKET KIT | | 1 | | K-2765,K-2773 |
| K-2297 | | -O- RING KIT - RANGE | | 1 | RANGE | |
| K-2298 | | -O- RING KIT - COMPLETE | | 1 | COMPLETE | K-2765,K-2773 |
| K-2347 | | MASTER VALVE REPAIR KIT | | 1 | FOR A-5510 VALVE | |
| K-2366 | | KEY & WASHER KIT | 21326 ,4300763 ,4304614 | 1 | CONTAINS 3-SIDED KEY | |
| K-2428 | | LEVER REPLACEMENT KIT | | 1 | LOW TOWER | |
| K-2429 | | LEVER REPLACEMENT KIT | | 1 | HIGH TOWER | |
| K-2430 | | SHIM KIT | 21452 | 1 | | K-2765,K-2773,S-2937 |
| K-2756 | | SMALL PARTS KIT | | 1 | | |
| K-2765 | | BASIC OVERHAUL KIT | | 1 | | |
| K-2773 | | BASIC REBUILD KIT | | 1 | | |
| K-2932 | | COUNTERSHAFT REPL KIT | 4301395 ,4303966 ,4303967 | 1 | | |
| K-2973 | | SHIFT LEVER HSG KIT | 17166 ,17167 ,4303050 ,4304910 ,K - 1630 K - 1941 | 1 | HIGH TOWER | |
| K-3190 | | MASTER VALVE REPAIR KIT | | 1 | FOR A-6910 VALVE | |
| K-3198 | | T-2 VALVE KIT | 691300 ,691359 | 1 | | |
| K-3209 | | IDLER SHAFT REPL KIT | 16405 ,4302981 ,4305513 | 1 | | |
| K-3333 | | SPLITTER VLV REPL KIT | A - 6861 | 1 | | |
| K-3334 | | RANGE VALVE REPL KIT | A - 6864 | 1 | | |
| K-3367 | | OIL PUMP KIT | 4301829 ,4301948 ,4303776 ,4304529 ,4304572 A - 6963 ,A - 7173 | 1 | | |
| K-3376 | | O-RING & WASHER KIT | 4301211 | 1 | | |
| K-3387 | | REPLT KIT - DRIVE GEAR | 4304594 | 1 | | |
| K-3399 | | ISOLATOR BUSHING KIT | 21244 ,23311 | 1 | | |
| K-3467 | | PIN REPLACEMENT KIT | 21245 | 1 | | |
| K-3492 | | SYNCHRONIZER KIT | K - 2446 | 1 | | |
| K-3494 | | SYNCHRONIZER REPLACEMENT KIT | K - 2448 | 1 | SLIDING CLUTCH INCLUDED IN KIT | |
| K-3518 | | GASKET KIT | | 1 | | K-3519,K-3522 |
| K-3519 | | BASIC OVERHAUL KIT | | 1 | | |
| K-3522 | | BASIC REBUILD KIT | | 1 | | |
| K-3523 | | SPEEDO PLUG KIT | 4302707 | 1 | | |
| K-3651 | | OIL SEAL TOOL KIT | | 1 | | |
| S-1404 | | OIL FILTER | 17238 | 1 | | |
| S-1659 | | INPUT SHAFT | 20535 23566 4302661 | 1 | 2" PULL - USE W/FBC 20550 | K-2765,K-3519 |
| S-1660 | | INPUT SHAFT | 20536 ,23567 | 1 | 2" PUSH - USE W/FBC 20549 | |
| S-1786 | | SHIFT YOKE ASSY | 22801 | 1 | | |
| S-1794 | | ISOLATOR ASSY | | 1 | | |
| S-1984 | | COVER ASSY-RANGE CYL | | 1 | | |
| S-2058 | | SHIFT BAR HSG ASSY (STD) | 22800 ,4301786 ,S - 1968 | 1 | COMPLETE - FOR USE W/SHIFT LEVER | |
| S-2062 | | CASE ASSY | 4301790 | 1 | FOR USE W/INTEGRAL PUMP | |
| S-2073 | | SHIFT BAR HSG ASSY (STD) | 4301786 | 1 | HOUSING ONLY | |
| S-2074 | | SHIFT BAR HSG ASSY (STD) | 4301786 | 1 | COMPLETE - FOR USE W/REMOTE CONTROL | |
| S-2119 | | REAR BRG COVER ASSY | 20048 ,22045 ,4302009 ,4302031 ,S - 1558 S - | 1 | EXTENDED | |

| Item | Current Part | Description | Replaced Part | Qty. | Notes | Kits/Assys Where Needed |
|------|--------------|-----------------------|---------------|------|----------------------------------|-------------------------|
| | | | 1560 | | | |
| | S-2129 | SHIFT LEVER HSG ASSY | | 1 | LOW TOWER | |
| | S-2130 | SHIFT LEVER HSG ASSY | S - 2053 | 1 | HIGH TOWER | |
| | S-2568 | ROADRANGER VALVE ASSY | | 1 | RTLO - W/SHIFT DIAGRAM MEDALLION | |
| | S-2737 | MAINSHAFT ASSY | 4304597 | 1 | | |
| | S-2937 | RANGE SECTION ASSY | | 1 | | |
| | S-2956 | RANGE SECTION ASSY | | 1 | "B" RATIO | |

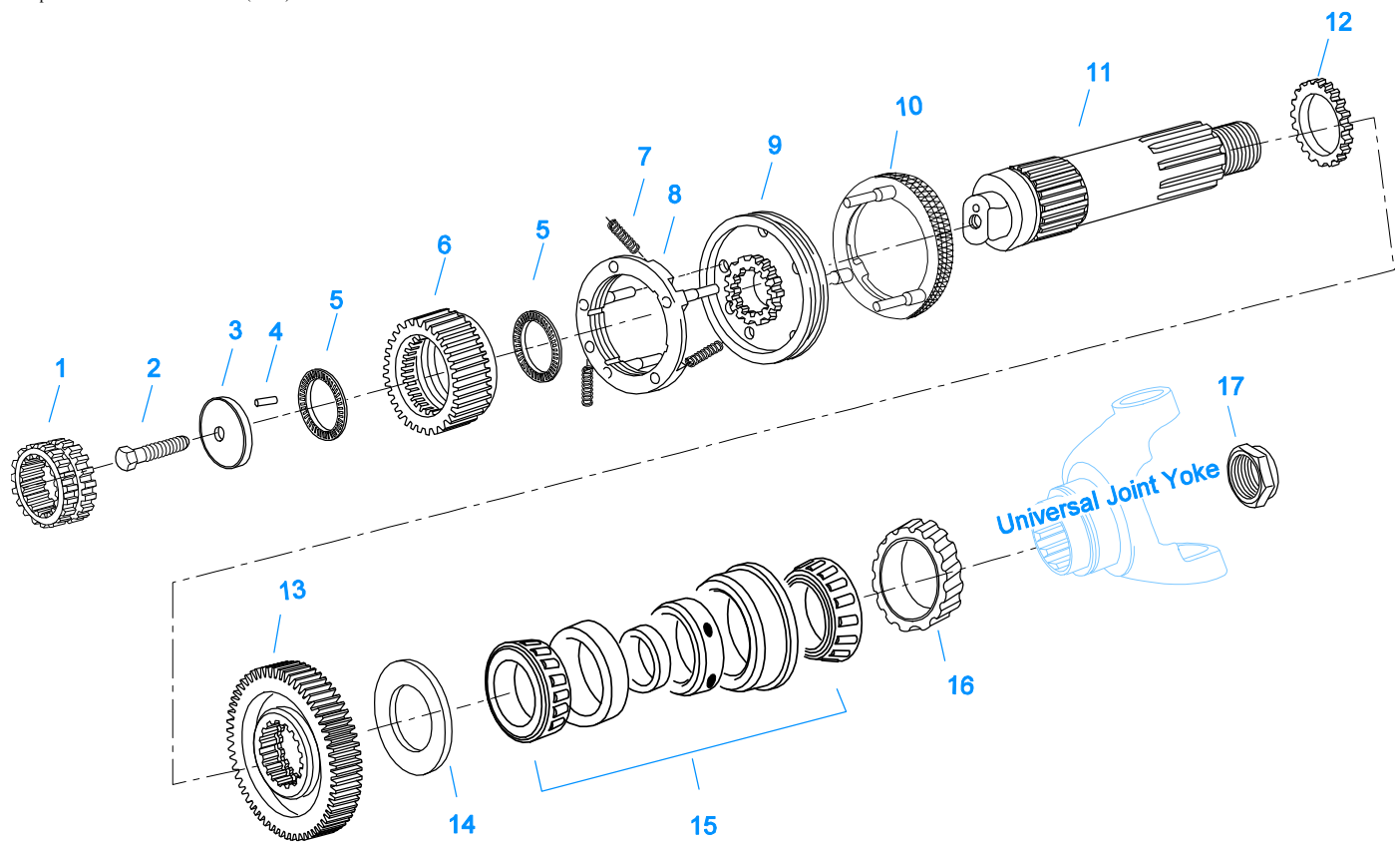


10200-10/92

LEVERS/HOUSINGS

| Item | Current Part | Description | Replaced Part | Qty. | Notes | Kits/Assys Where Needed |
|------|--------------|-----------------------|--|------|------------------------|------------------------------------|
| 1 | K-3376 | O-RING & WASHER KIT | 4301211 | 1 | | |
| 2 | 18299 | PIN | | 1 | | K-1476,S-1677 |
| 3 | X-8C-604 | CAPSCREW | | 4 | 3/8"-16X1-1/4" | |
| 4 | X-1-600 | NUT | | 4 | 3/8"-24-N.F.PLAIN | |
| 5 | X-3-600 | LOCKWASHER | | 4 | 3/8" | |
| 6 | 11934 | STUD | 7467 | 4 | | |
| 7 | K-1476 | SHIFT LEVER HSG | 4530 ,17163 ,18298 ,4304905 ,A - 4437 | 1 | LOW TOWER | |
| 8 | 4303432 | GASKET | 22799 | 1 | | K-2295 |
| 13 | 6541 | PIN | | 1 | 3/8" | |
| 14 | K-2973 | SHIFT LEVER HSG KIT | 17166 ,17167 ,4303050 ,4304910 ,K - 1630 K - 1941 | 1 | HIGH TOWER | |
| 15 | 10427 | BOOT | | 1 | | K-1476,K-2973,S-1579,S-1677,S-2130 |
| 16 | X-1-500 | NUT | | 1 | 5/16"-24 | |
| 17 | X-3-500 | LOCKWASHER | | 1 | 5/16" | |
| 19 | 17560 | LEVER GRIP | | 1 | 1/2"-13 | |
| 20 | 17600 | GEAR SHIFT LEVER | | 1 | STRAIGHT - LOW 21-1/2" | |
| 20 | 18482 | GEAR SHIFT LEVER | | 1 | STRAIGHT - HIGH 35" | |
| 21 | 2538 | RETAINER | | 1 | | K-1476,K-2973,S-1579,S-1677,S-2130 |
| 22 | 2536 | SPRING | | 1 | | K-1476,K-2973,S-1579,S-1677,S-2130 |
| 23 | K-2428 | LEVER REPLACEMENT KIT | | 1 | LOW TOWER | |
| 23 | K-2429 | LEVER REPLACEMENT | | 1 | HIGH TOWER | |

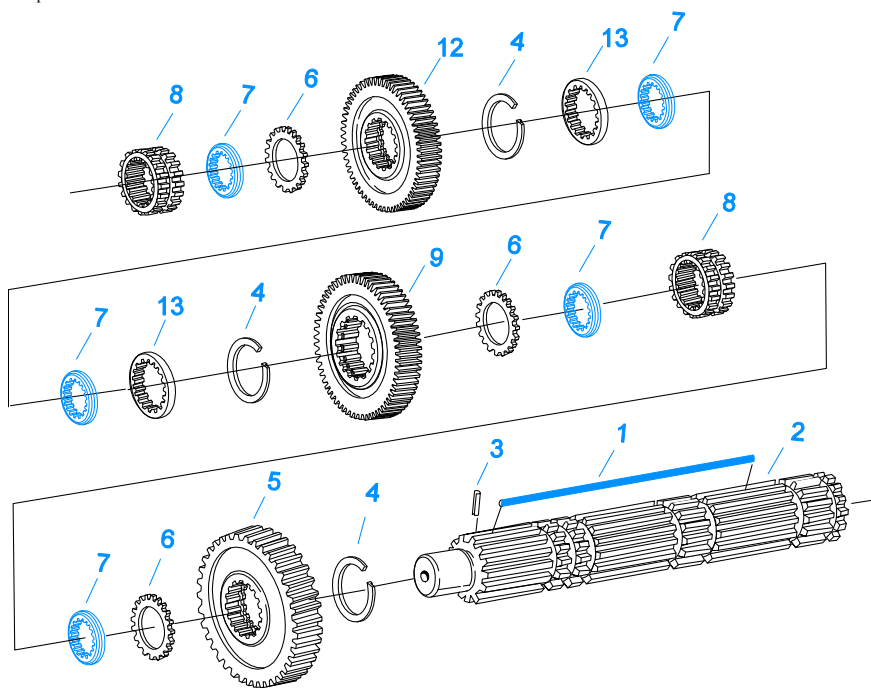
| Item | Current Part | Description | Replaced Part | Qty. | Notes | Kits/Assys Where Needed |
|------|--------------|----------------------|---------------|------|------------|-------------------------|
| | | KIT | | | | |
| 24 | S-1579 | SHIFT TOWER ASSY | | 1 | HIGH TOWER | |
| 24 | S-1677 | SHIFT TOWER ASSY | | 1 | LOW TOWER | |
| 33 | S-2129 | SHIFT LEVER HSG ASSY | | 1 | LOW TOWER | |
| 33 | S-2130 | SHIFT LEVER HSG ASSY | S - 2053 | 1 | HIGH TOWER | |



10423-10/92 Aux MS RTLO 10

MAINSHAFT & SYNCHRO(AUX)

| Item | Current Part | Description | Replaced Part | Qty. | Notes | Kits/Assys Where Needed |
|------|--------------|-----------------------------|--------------------------|------|----------------|--|
| 1 | 21930 | SLIDING CLUTCH | | 1 | | |
| 2 | X-7-1005 | CAPSCREW | | 1 | 5/8"-18X1-3/4" | |
| 3 | A-6340 | RETAINER ASSY | 4302057 | 1 | | K-2765,K-2773 |
| 4 | 62511 | ROLL PIN | | 1 | | A-6340 |
| 5 | 4302058 | BEARING | | 2 | | K-2765,K-2773 |
| 6 | 4302695 | SPLITTER GEAR- MAINSHAFT | 4301940 ,4302066 | 1 | | |
| 7 | 14897 | SPRING | | 3 | | K-2756,K-2765,K-2773,K-3492,K-3494,K-3519,K-3522 |
| 8 | A-7331 | SYNCHRONIZER ASSY | 4304396 4304397 A - 5917 | 1 | HI RANGE | K-3492,K-3494 |
| 9 | 20323 | SLIDING CLUTCH | | 1 | | K-3494 |
| 10 | A-7254 | SYNCHRONIZER ASSEMBLY | A - 4937 A - 5876 | 1 | LO RANGE | K-3492,K-3494 |
| 11 | 4302059 | AUXILIARY MAINSHAFT | | 1 | | |
| 12 | 19203 | SPACER | | 1 | | K-2756 |
| 13 | 4301400 | REDUCTION GEAR | | 1 | | |
| 14 | 16772 | WASHER | | 1 | | K-2756 |
| 15 | 15260 | BEARING | | 1 | | K-2765,K-2773 |
| 16 | 20191 | ROTOR | 16295 | 1 | | |
| 17 | 22254 | NUT | 11956 | 1 | | S-2937 |



10322A-3-97 MS - LO Inertia

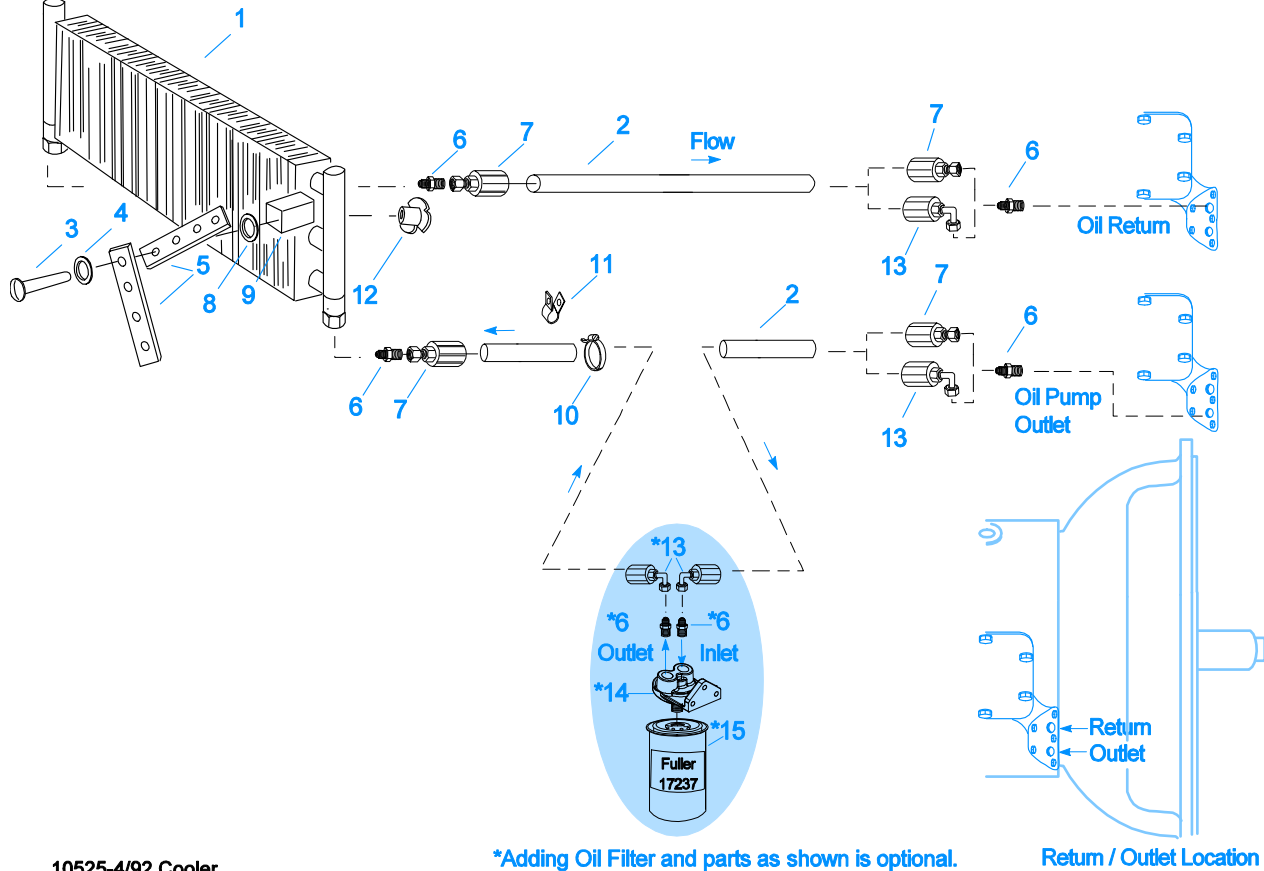
MAINSHAFT ASSY

| Item | Current Part | Description | Replaced Part | Qty. | Notes | Kits/Assys Where Needed |
|------|--------------|------------------------|---------------------------|------|---|------------------------------------|
| 1 | 4304614 | 3-SIDED KEY | 4300890 | 1 | | K-2366,K-2756 |
| 1 | K-2366 | KEY & WASHER KIT | 21326,4300763 ,4304614 | 1 | CONTAINS 3-SIDED KEY | |
| 2 | S-2737 | MAINSHAFT ASSY | 4304597 | 1 | | S-2737 |
| 3 | 62504 | ROLL PIN | | 1 | | S-2737 |
| 4 | 14750 | SNAP RING | | 3 | | K-2756,K-2765,K-2773,K-3519,K-3522 |
| 5 | 16756 | REVERSE GEAR-MAINSHAFT | 22408 | 1 | | |
| 6 | 14749 | SPACER | | 3 | | K-2756 |
| 7 | 4300382 | WASHER .249-WHITE | | 5 | | K-2366,K-2756 |
| 7 | 4300383 | WASHER .254-GREEN | | 5 | OPTIONAL 4300382-4300387 OR 4300830 USE ANY 5 WASHERS. USE WITH 3-SIDED KEY | K-2366,K-2756 |
| 7 | 4300384 | WASHER .259-ORANGE | | 5 | OPTIONAL 4300382-4300387 OR 4300830 USE ANY 5 WASHERS. USE WITH 3-SIDED KEY | K-2366,K-2756 |
| 7 | 4300385 | WASHER .264-PURPLE | | 5 | OPTIONAL 4300382-4300387 OR 4300830 USE ANY 5 WASHERS. USE WITH 3-SIDED KEY | |
| 7 | 4300386 | WASHER .269-YELLOW | | 5 | OPTIONAL 4300382-4300387 OR 4300830 USE ANY 5 WASHERS. USE WITH 3-SIDED KEY | |
| 7 | 4300387 | WASHER .274-BLACK | | 5 | OPTIONAL 4300382-4300387 OR 4300830 USE ANY 5 WASHERS. USE WITH 3-SIDED KEY | |
| 7 | 4300830 | WASHER .244-BLUE | | 5 | OPTIONAL 4300382-4300387 OR 4300830 USE ANY 5 WASHERS. USE WITH 3-SIDED KEY | K-2366,K-2756 |
| 8 | 16118 | SLIDING CLUTCH | | 2 | | K-2765 |
| 9 | 4301396 | LO GEAR-MAINSHAFT | 4301519 | 1 | | |
| 12 | 4304657 | 2ND GEAR-MAINSHAFT | | 1 | | |
| 13 | 16288 | SPACER | | 2 | | K-2756 |

MISCELLANEOUS

| Item | Current Part | Description | Replaced Part | Qty. | Notes | Kits/Assys Where Needed |
|---------|--------------|---------------------|---------------|------|----------------------------------|--|
| 4303343 | | SHIFT DIAGRAM LABEL | | 1 | | |
| 71203 | | SILICONE LUBE | | 1 | 8 OZ (236.59 CC)-FLEET SIZE | |
| 71204 | | ADHESIVE SEALANT | | 1 | 0.5 CC (SINGLE APPLICATION SIZE) | K-3198 |
| 71205 | | SEALANT | | 1 | 2 CC (SINGLE APPLICATION SIZE) | K-2765,K-2773,K-3519 |
| 71206 | | SILICONE LUBE | | 1 | 4 CC (SINGLE APPLICATION SIZE) | K-2078,K-2297,K-2298,K-2428,K-2429,K-3333,K-3334 |

Group: OIL COOLER



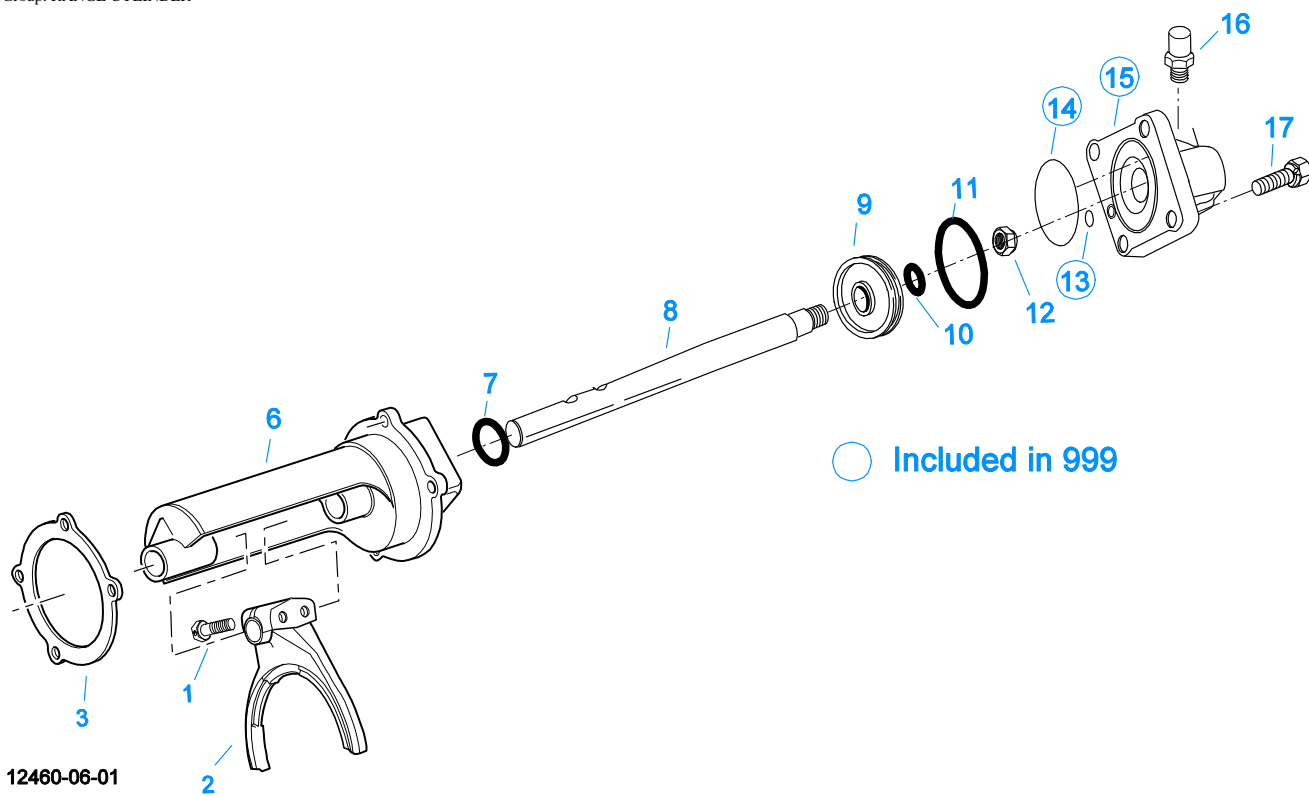
10525-4/92 Cooler

*Adding Oil Filter and parts as shown is optional.

Return / Outlet Location

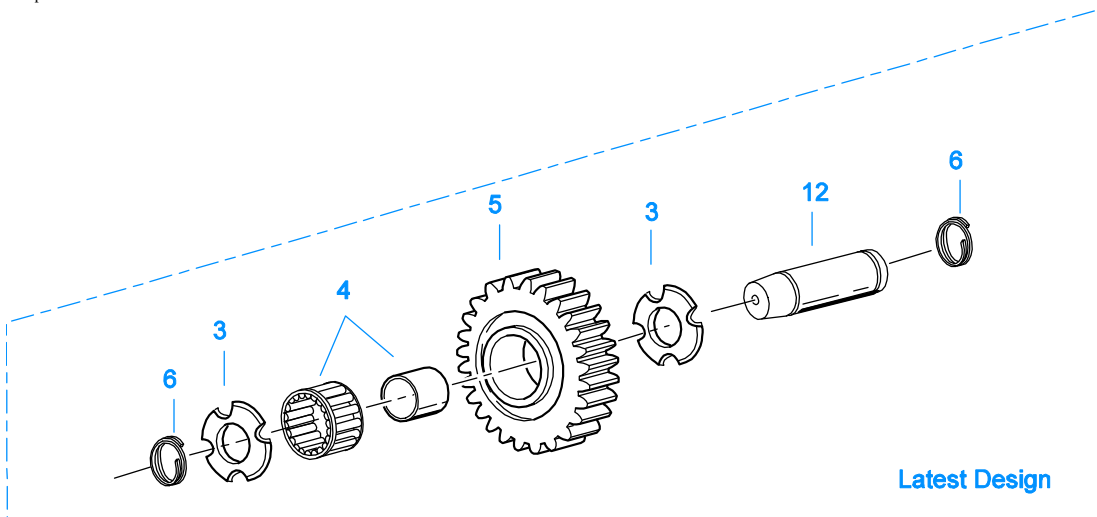
OIL COOLER

| Item | Current Part | Description | Replaced Part | Qty. | Notes | Kits/Assys Where Needed |
|------|--------------|-------------------|---------------|------|-----------------|-------------------------|
| 1 | 18025 | OIL COOLER | | 1 | | K-1956 |
| 2 | 19424 | HOSE | | 1 | 25 FEET | K-1956 |
| 3 | X-8-535 | CAPSCREW | | 2 | 5/16"-16X2-1/2" | |
| 4 | X-3-506 | LOCKWASHER | | 2 | 5/16" | |
| 5 | 18211 | BRACKET | | 4 | | K-1956 |
| 6 | 19419 | CONNECTOR | | 6 | | K-1956,S-1404 |
| 7 | 19415 | SWIVEL | | 4 | | K-1956 |
| 8 | X-10-501 | WASHER | | 2 | 5/16" | |
| 9 | 18209 | PLUG-RUBBER MOUNT | | 2 | | K-1956 |
| 10 | 17190 | STRAP | | 8 | | K-1956 |
| 11 | 19423 | CLAMP | | 5 | | K-1956 |
| 12 | 18210 | NUT | | 2 | | K-1956 |
| 13 | 19422 | ELBOW | | 4 | | K-1956 |
| 14 | S-1404 | OIL FILTER | 17238 | 1 | | |
| 15 | 17237 | FILTER ELEMENT | | 1 | | S-1404 |

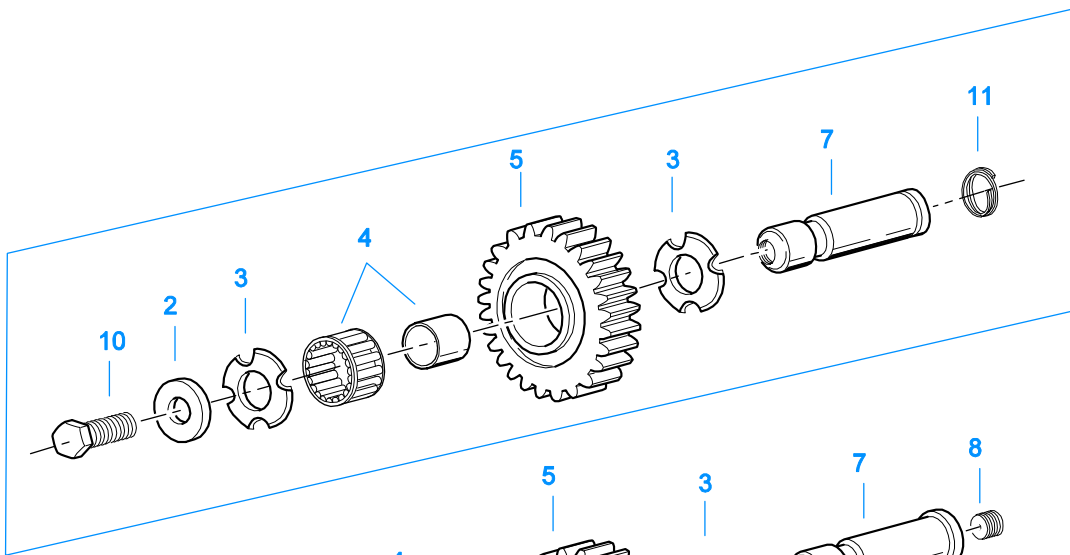


RANGE CYLINDER

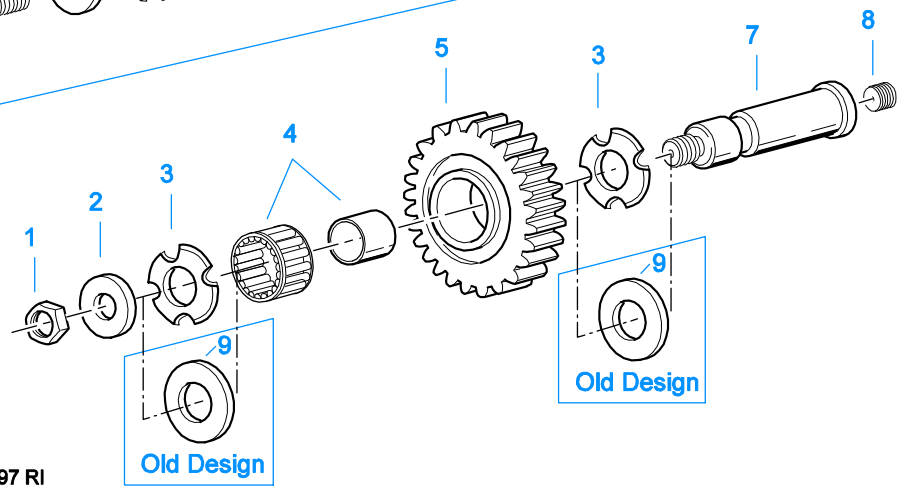
| Item | Current Part | Description | Replaced Part | Qty. | Notes | Kits/Assys Where Needed |
|------|--------------|----------------------|------------------|------|--------------------------------|------------------------------------|
| 1 | X-7-809 | BOLT | X 7 810 ,X 7 811 | 2 | 1/2"-20X1-3/4" | |
| 2 | 22823 | SHIFT YOKE | 16775 | 1 | | |
| 3 | 14347 | GASKET | | 1 | | K-1603,K-2295,K-2297,K-2298,K-3518 |
| 6 | 4303682 | RANGE CYLINDER | 4301789 | 1 | | |
| 7 | 14765 | -O- RING | | 1 | | K-2297,K-2298 |
| 8 | 4301558 | YOKE BAR | | 1 | | |
| 9 | 14341 | PISTON | 23353 | 1 | | |
| 10 | 14345 | -O- RING | | 1 | | K-2297,K-2298 |
| 11 | 14344 | -O- RING | | 1 | | K-2297,K-2298 |
| 12 | X-1-1010 | NUT | | 1 | 5/8"-18 | |
| 13 | 14197 | -O- RING | | 1 | | K-2297,K-2298,K-3334 |
| 14 | 5568539 | O-RING | | 1 | | K-2297,K-2298,K-3334 |
| 15 | K-3334 | RANGE VALVE REPL KIT | A - 6864 | 1 | | |
| 16 | X2014210 | BREATHER | 7935 | 1 | | |
| 17 | X-8L-607 | CAPSCREW | X 8 607 | 4 | 3/8"-16X2-1/4", 3/8"-16X2-1/4" | |
| 999 | K-3334 | RANGE VALVE REPL KIT | A - 6864 | 1 | | |



Latest Design



Old Design

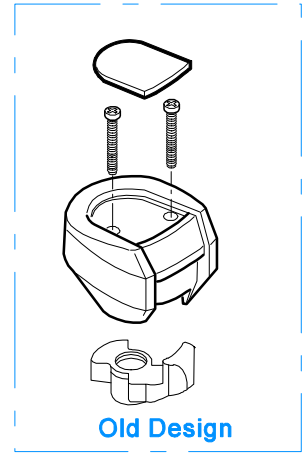
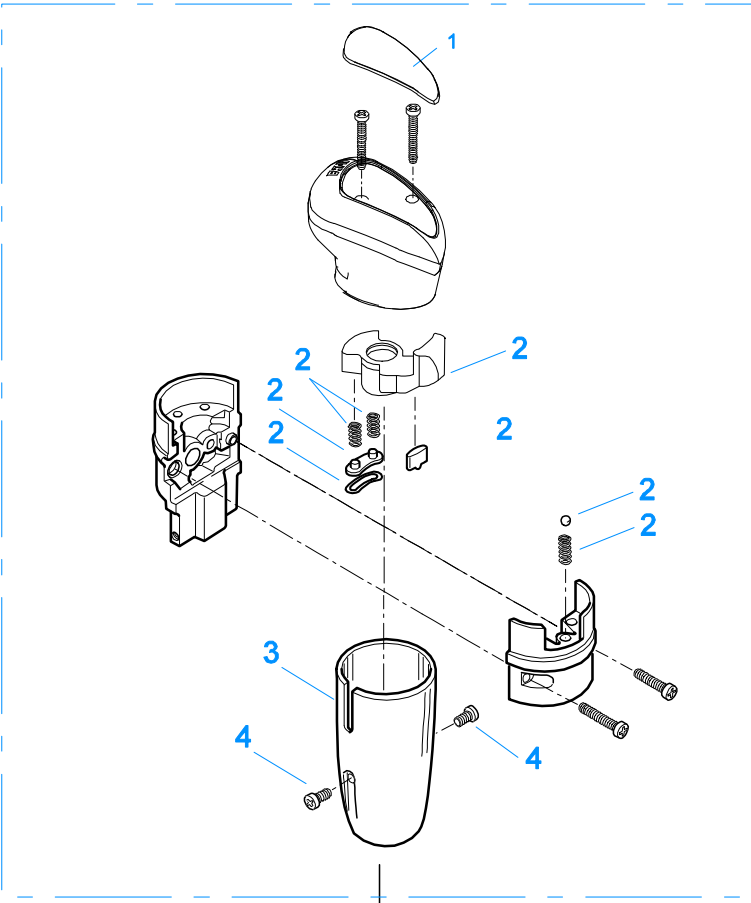


11383-5-97 RI

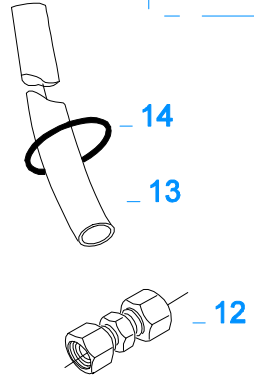
REVERSE IDLER

| Item | Current Part | Description | Replaced Part | Qty. | Notes | Kits/Assys Where Needed |
|------|--------------|----------------------|-----------------------|------|---------|-----------------------------|
| 1 | X-1-1008 | NUT | | 2 | 5/8"-18 | |
| 2 | 14283 | WASHER | | 2 | | |
| 3 | 4302982 | WASHER | 14282 | 4 | | K-3209,S-2062 |
| 4 | 14287 | BEARING | 4305020 | 2 | | K-2765,K-2773,K-3519,K-3522 |
| 5 | 16757 | REVERSE IDLER GEAR | 22409 | 2 | | |
| 6 | 4303336 | RETAINING RING | | 4 | | K-3209 |
| 7 | K-3209 | IDLER SHAFT REPL KIT | 16405,4302981,4305513 | 2 | | |

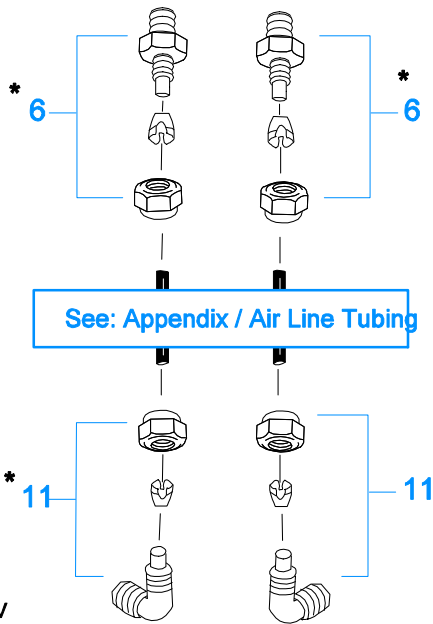
| Item | Current Part | Description | Replaced Part | Qty. | Notes | Kits/Assys Where Needed |
|------|--------------|---------------------|---------------|------|---------------|-------------------------|
| 8 | 5202 | PLUG | | 2 | | |
| 9 | 14282 | NO LONGER AVAILABLE | | 4 | | |
| 10 | X-7-1008 | CAPSCREW | | 2 | 5/8"-18X1-1/4 | |
| 11 | 4303336 | RETAINING RING | | 2 | | K-3209 |
| 12 | 4305513 | IDLER SHAFT | | 2 | | K-3209 |



999



2 K-2347 Rep Kit Master Valve

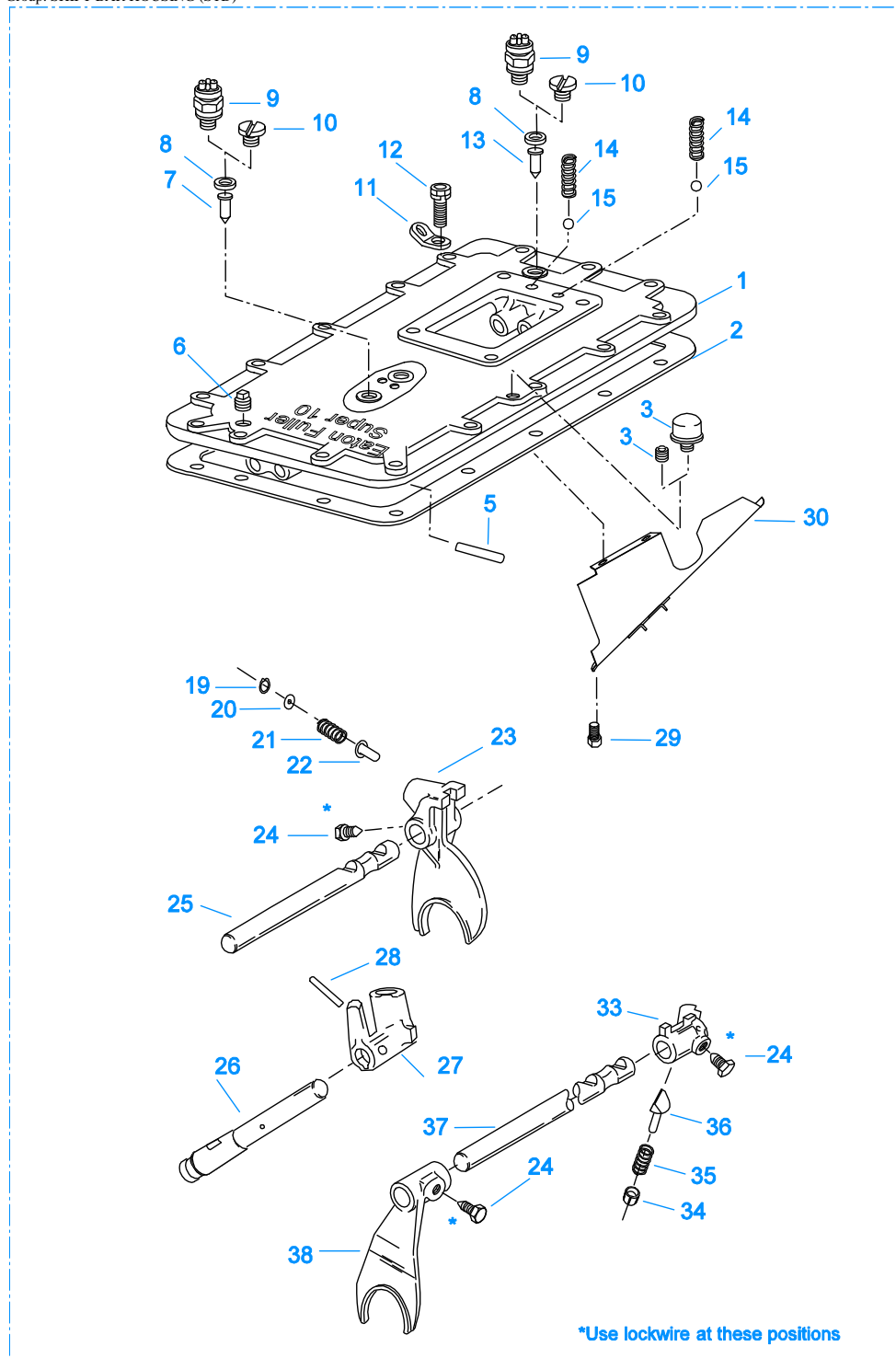


10104-11/92 RRV

* For Connector and Elbow Assy component information see Appendix.

ROADRANGER VALVE

| Item | Current Part | Description | Replaced Part | Qty. | Notes | Kits/Assys Where Needed |
|------|--------------|-------------------------|---------------|------|---|--|
| 1 | 20107 | MEDALLION, LOGO | | 1 | (OLD DESIGN) FULLER LOGO ONLY | |
| 1 | 5586100 | MEDALLION, LOGO | | 1 | (LATEST DESIGN) FULLER LOGO ONLY | A-6910 |
| 1 | 5586109 | SHIFT DIAGRAM MEDALLION | | 1 | RTLO | S-2568 |
| 2 | K-2347 | MASTER VALVE REPAIR KIT | | 1 | FOR A-5510 VALVE | |
| 2 | K-3190 | MASTER VALVE REPAIR KIT | | 1 | FOR A-6910 VALVE | |
| 3 | 20112 | COVER | | 1 | | A-6910 |
| 4 | X-8-213 | SCREW | X 8 202 | 2 | 8-32X3/8" | |
| 5 | X-9-802 | NUT | | 1 | 1/2"-13 | |
| 6 | 84001 | CONNECTOR ASSY | 82501 | 2 | 1/8" TUBE-1/16" NPTF | |
| 6 | 84003 | CONNECTOR ASSY | 82503 | 2 | 5/32" TUBE-1/16" NPTF | |
| 6 | 84005 | CONNECTOR ASSY | | 2 | "PUSH-TO-CONNECT" 5/32" TUBE-1/16" NPTF | K-2765 |
| 11 | 85001 | ELBOW ASSY | 84501 | 2 | 5/32" TUBE-1/8" NPTF | |
| 11 | 85002 | ELBOW ASSY | 84502 | 2 | 1/8" TUBE-1/8" NPTF | |
| 11 | 85003 | ELBOW ASSY | | 2 | "PUSH-TO-CONNECT" 5/32" TUBE-1/8" NPTF | K-2765, K-3121, K-3198, K-3333, K-3334 |
| 12 | 84101 | UNION ASSY | | 1 | 1/8" TUBING | |
| 12 | 84102 | UNION ASSY | | 1 | 5/32" TUBING | |
| 12 | 84103 | UNION ASSY | | 1 | "PUSH-TO-CONNECT" 5/32" TUBING | |
| 13 | 80120 | SHEATHING (50 FT ROLL) | | 1 | 5/32" - BLACK 50' | |
| 14 | 13571 | -O- RING CLAMP | | 2 | | |
| 999 | A-6910 | ROADRANGER VALVE ASSY | A - 5510 | 1 | STANDARD-W/LOGO | |
| 999 | S-2568 | ROADRANGER VALVE ASSY | | 1 | RTLO - W/SHIFT DIAGRAM MEDALLION | |



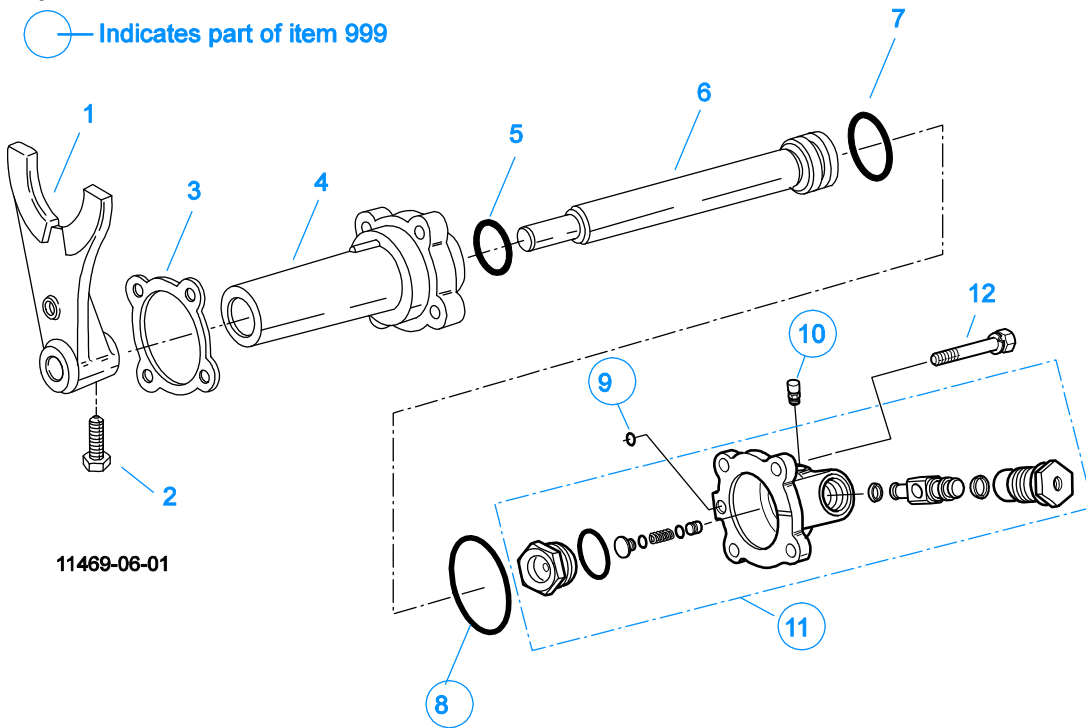
10223-5/93 STD Super 10

SHIFT BAR HOUSING (STD)

| Item | Current Part | Description | Replaced Part | Qty. | Notes | Kits/Assys Where Needed |
|------|--------------|--------------------------|---------------|------|--------------|------------------------------------|
| 1 | S-2073 | SHIFT BAR HSG ASSY (STD) | 4301786 | 1 | HOUSING ONLY | |
| 2 | 4302676 | GASKET | 14918 | 1 | | K-2295,K-3518,S-2058,S-2073,S-2074 |
| 3 | 4304602 | BREATHER | 23605 | 1 | 1/4" NPT | |
| 3 | X-12-404 | PIPE PLUG | | 1 | 1/4" NPT | |

| Item | Current Part | Description | Replaced Part | Qty. | Notes | Kits/Assys Where Needed |
|------|--------------|--------------------------|--------------------------|------|--|-----------------------------|
| 5 | 22812 | PIN | | 1 | | S-2058,S-2074 |
| 6 | X-12-603 | PIPE PLUG | X12 602 | 1 | 3/8" NPT | |
| 7 | 4301999 | PIN | 22871 | 1 | | |
| 8 | 15900 | GASKET | | 2 | | S-2058,S-2073,S-2074 |
| 9 | 22940 | REV/NEUTRAL LIGHT SWITCH | 16830 | 2 | SWITCH NORMALLY OPEN | |
| 10 | 4303656 | PLUG | 15917 | 2 | | S-2058,S-2073,S-2074 |
| 11 | 20815 | LIFTING EYE | 17105 | 2 | | S-2956 |
| 12 | X-8C-6109 | CAPSCREW | | 2 | FOR COOLER BRACKET TO SHIFT BAR HOUSING | |
| 12 | X-8L-602 | CAPSCREW | | 2 | 3/8"-16X1-1/2" | |
| 12 | X-8L-604 | CAPSCREW | | 14 | 3/8"-16X1-1/4" OR USE 12 PCS OF X-8L-604 AND 2 PCS OF X-8L-602 | |
| 13 | 15899 | PIN | | 1 | | S-2058,S-2074 |
| 14 | 15918 | SPRING | | 2 | | K-2756,K-2765,S-2058,S-2074 |
| 15 | X-14-800 | STEEL BALL | | 2 | 1/2" | |
| 19 | 22815 | SNAP RING | | 1 | | S-1786,S-2058 |
| 20 | 22814 | WASHER | | 1 | | S-1786,S-2058 |
| 21 | 22809 | SPRING | | 1 | W/SHIFT LEVER | K-2756,S-1786,S-2058 |
| 21 | 4302195 | SPRING | | 1 | W/REMOTE CONTROL | K-2756 |
| 22 | 22811 | PLUNGER | | 1 | | S-1786,S-2058 |
| 23 | S-1786 | SHIFT YOKE ASSY | 22801 | 1 | | |
| 24 | 3220 | LOCKSCREW | | 3 | | S-2058,S-2074 |
| 25 | 4301787 | YOKE BAR | | 1 | REVERSE/1ST | S-2058,S-2074 |
| 26 | 4301788 | INTERLOCK BAR | | 1 | | S-2058,S-2074 |
| 27 | 4301553 | SELECTOR BLOCK | | 1 | | S-2058,S-2074 |
| 28 | 5558502 | PIN | | 1 | | S-2058,S-2074 |
| 29 | X-8-423 | CAPSCREW | | 2 | 1/4"-20X1/2" | |
| 30 | 20070 | OIL TROUGH | | 1 | | S-2058,S-2074 |
| 33 | 22803 | SHIFT BLOCK | | 1 | | S-2058 |
| 34 | 8968 | PLUG | | 1 | | S-2058 |
| 35 | 18739 | SPRING | | 1 | W/SHIFT LEVER | K-2756,S-2058 |
| 35 | 4302196 | SPRING | | 1 | W/REMOTE CONTROL | K-2756 |
| 36 | 10019 | PLUNGER | | 1 | | S-2058 |
| 37 | 22805 | YOKE BAR | | 1 | 4TH/5TH | S-2058,S-2074 |
| 38 | 16136 | SHIFT YOKE | | 1 | | S-2058,S-2074 |
| 999 | S-2058 | SHIFT BAR HSG ASSY (STD) | 22800 ,4301786 ,S - 1968 | 1 | COMPLETE-FOR USE W/SHIFT LEVER | |
| 999 | S-2074 | SHIFT BAR HSG ASSY (STD) | 4301786 | 1 | COMPLETE-FOR USE W/REMOTE CONTROL | |

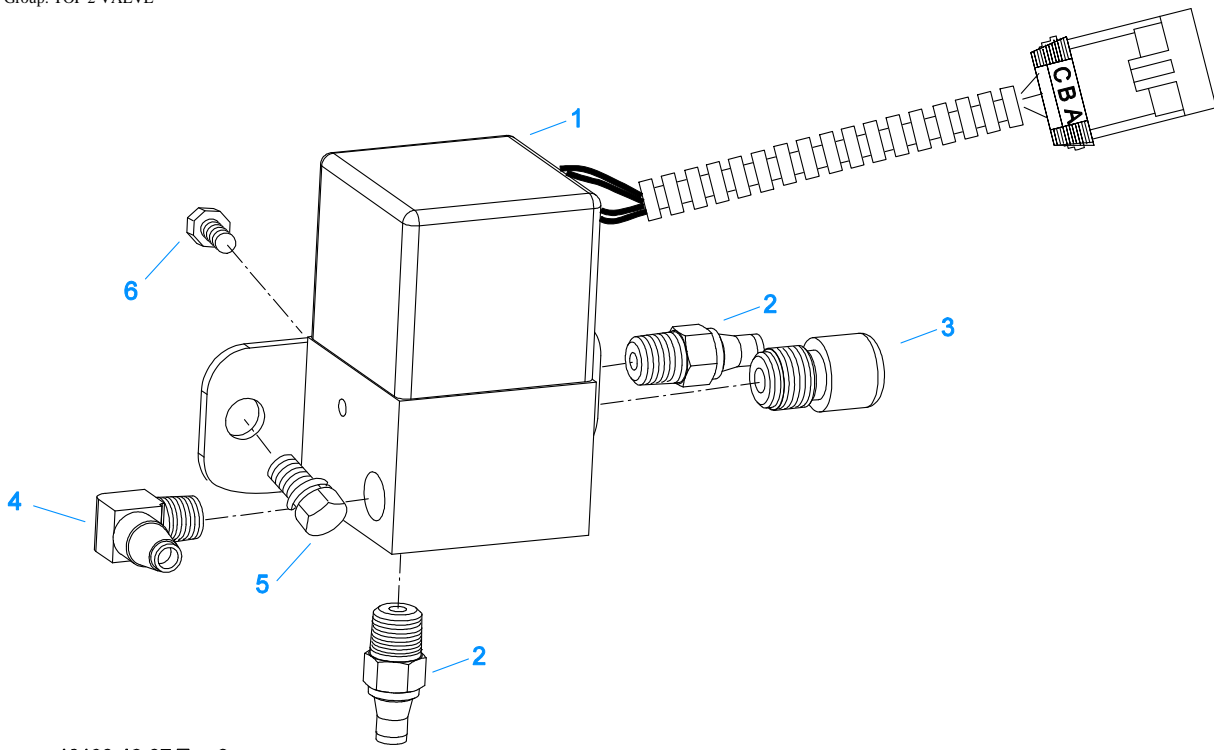
— Indicates part of item 999



11469-06-01

SPLITTER CYLINDER

| Item | Current Part | Description | Replaced Part | Qty. | Notes | Kits/Assys Where Needed |
|------|--------------|-----------------------|---------------|------|-----------------|-----------------------------|
| 1 | 21607 | SHIFT YOKE | | 1 | | |
| 2 | 3220 | LOCKSCREW | | 1 | | S-2058,S-2074 |
| 3 | 4303583 | GASKET | | 1 | | K-1603,K-2078,K-2295,K-2298 |
| 4 | 4303582 | SPLITTER CYLINDER | | 1 | | |
| 5 | 21208 | -O- RING | | 1 | | K-2078,K-2298 |
| 6 | 4300182 | YOKE BAR | | 1 | | |
| 7 | 21209 | -O- RING | | 1 | | K-2078,K-2298 |
| 8 | 5568534 | -O- RING | | 1 | | K-2078,K-2298,K-3333 |
| 9 | 13653 | -O- RING | | 1 | | K-2298,K-3333 |
| 10 | X2014210 | BREATHER | 7935 | 1 | | |
| 11 | K-3333 | SPLITTER VLV REPL KIT | A - 6861 | 1 | | |
| 12 | X-8L-540 | CAPSCREW | | 4 | 5/16"-18X1-7/8" | |
| 999 | K-3333 | SPLITTER VLV REPL KIT | A - 6861 | 1 | | |



10139-12-97 Top 2

TOP 2 VALVE

| Item | Current Part | Description | Replaced Part | Qty. | Notes | Kits/Assys Where Needed |
|------|--------------|----------------|----------------|------|--|-------------------------|
| 1 | K-3198 | T-2 VALVE KIT | 691300 ,691359 | 1 | | |
| 2 | 84006 | CONNECTOR ASSY | | 2 | "PUSH-TO-CONNECT" 5/32" TUBE-1/8" NPTF | K-3121, K-3198 |
| 3 | 7935 | BREATHER | | 1 | | K-3198 |
| 4 | 85001 | ELBOW ASSY | 84501 | 1 | 5/32" TUBE-1/8" NPTF | |
| 5 | X-8C-556 | CAPSCREW | X 8L 500 | 2 | 5/16"-18X3/4" | |
| 6 | X-8-214 | SCREW | | 2 | | |

