



Roadranger®

More time on the road®

Illustrated Parts List

FRLOF-16410C-T2
July 2011

For parts or service call us
Pro Gear & Transmission, Inc.



1 (877) 776-4600

(407) 872-1901

parts@eprogear.com

906 W. Gore St.

Orlando, FL 32805



Contents

How To Use The Illustrated Parts List	3
CASE ASSY.....	4
COUNTERSHAFT & BRGS(AUX).....	6
COUNTERSHAFT ASSY	7
ELECTRONIC CONTROL UNIT.....	8
FILTER REGULATOR.....	9
INPUT SHAFT & DRIVE GEAR	10
INTEGRAL OIL COOLER.....	12
ISOLATORS.....	13
KITS & ASSEMBLIES	14
LEVERS/HOUSINGS	15
MAINSHAFT & SYNCHRO(AUX).....	16
MAINSHAFT ASSY.....	17
MISCELLANEOUS	18
RANGE CYLINDER.....	19
REAR BEARING COVER	20
REVERSE IDLER.....	21
SHIFT KNOB.....	22
SHIFT SHAFT ASSY	23
SPLITTER CYLINDER	25

How To Use The Illustrated Parts List

The information contained in this document is subject to frequent updates. Therefore, for the latest information available, please visit the interactive Electronic Parts Catalog at www.roadranger.com/epc.

Model Designation or Nomenclature

- For information regarding Model Designation and Nomenclature, visit www.roadranger.com.

Kits and Assemblies (K/A's)

- Kits and Assemblies contain groups of individual or assembled parts developed for optimal replacement or repair of a service problem.
- Kits and Assemblies are shown with applicable parts groupings in the parts listings.

Identifying Kits and Assemblies

A- Part numbers beginning with the letter 'A' are pre-assembled Production Assemblies

K- Part numbers beginning with the letter 'K' are kits that are not assembled

S- Part numbers beginning with the letter 'S' are pre-assembled Service Assemblies

- Note: Some Production Assemblies do not begin with a letter prefix (Midrange only).

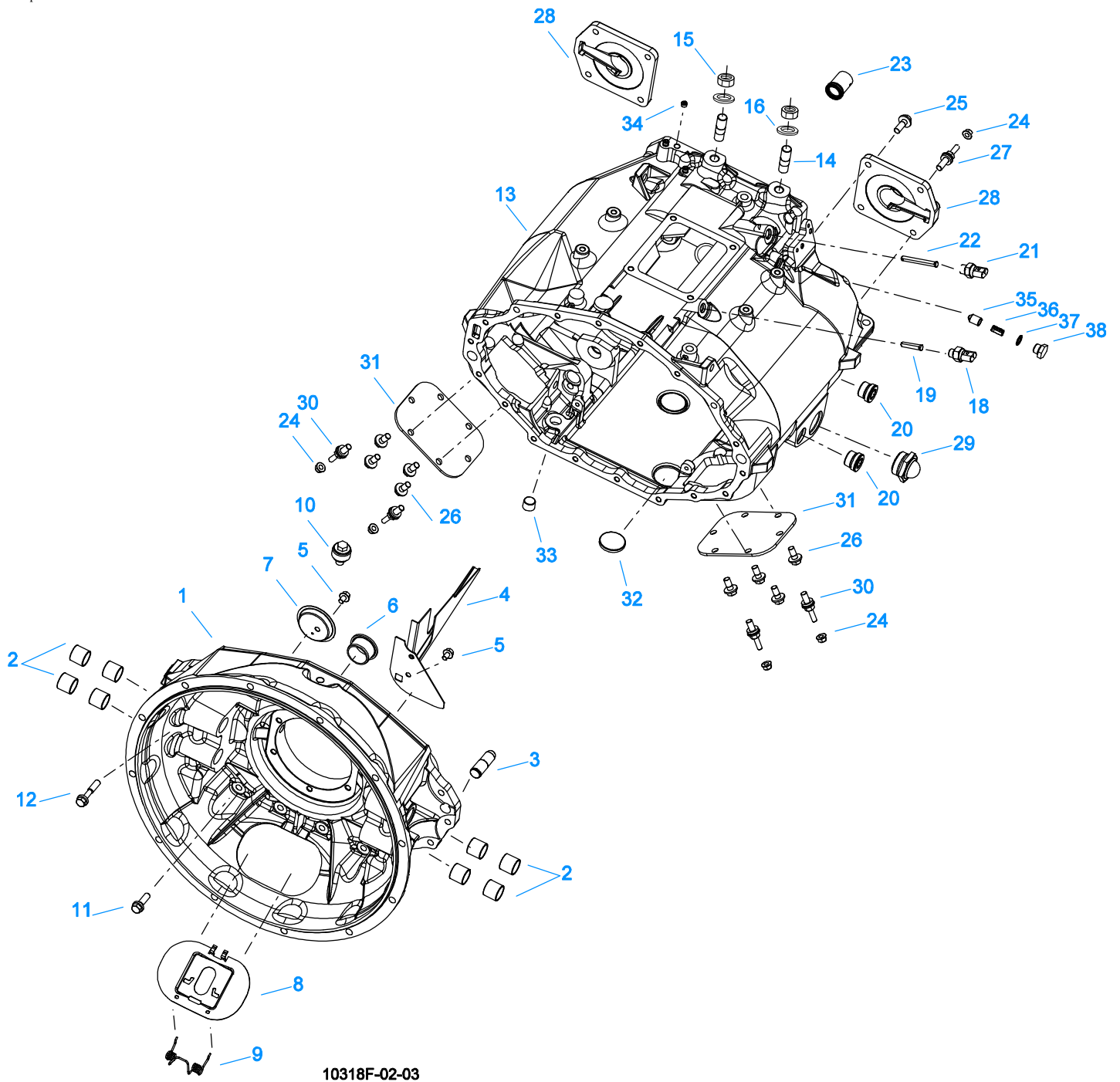
Illustrations

- Illustrations show parts in assembly groups.
- Item numbers on illustrations correspond with parts listings on pages adjacent to the illustration.
- Notes are included on illustrations where additional information is needed.

Parts Listing

Parts listings are defined by parts groupings and are broken down by service assemblies. Parts listings identify a part for servicing with the following categories

- **Item Number** - corresponding with numbers on illustrations for part identification.
- **Current Part** - identifies part as it is available for service.
- **Description** - specifies part name or description.
- **Replaced Part** - quantity quantity required for assembly.
- **Quantity** - defines unique characteristics or requirements.
- **Notes** - indicates Kits or Assemblies that contain a particular part.
- **Kits/Assy's Where Used**

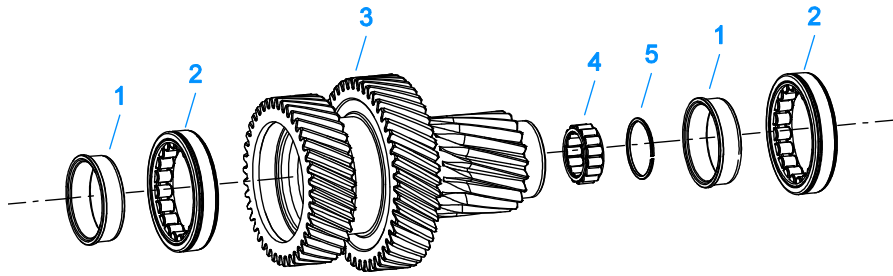


CASE ASSY

Item	Current Part	Description	Replaced Part	Qty.	Notes	Kits/Assys Where Needed
0	4306899	LUBE TAG	4304885	1	NOT PICTURED - LOCATED BY FILL PLUG	
0	K-3650	RTV SERVICE KIT	5564515 5564525	1	FLANGE SEALANT	K-3617,K-3652,K-3653,S-2831,S-2857
1	K-3914	CLUTCH HOUSING SERVICE KIT	4304273,A-7326	1	NON-NODAL MOUNT - ALUMINUM - HYDRAULIC	
1	S-3116R	REMAN CLUTCH HOUSING ASSY (SAU)	4305248,A-7437	1	STANDARD - ALUMINUM	
1	S-3117R	REMAN CLUTCH HOUSING ASSY (NAU)	4305238,A-7439	1	NODAL MOUNT - ALUMINUM	
2	12815	BUSHING		4	CAN ONLY BE USED W/ A-7437	

Item	Current Part	Description	Replaced Part	Qty.	Notes	Kits/Assys Where Needed
2	16374	PLUG		2	AND A-7439 CLUTCH HOUSINGS CAN ONLY BE USED W/ A-7437	
2	4304897	NO LONGER AVAILABLE	4304680	8	AND A-7439 CLUTCH HOUSINGS CAN ONLY BE USED WITH A-6895, A-6928, A-7220 AND A-7221 CLUTCH HOUSINGS	
3	14334	DOWEL		2		K-3914
4	4304222	NO LONGER AVAILABLE		1	PRIOR TO S/N K0117453 STANDARD CLUTCH HOUSING - ORDER K-3561 NODAL MOUNT CLUTCH HOUSING - ORDER K-3562	
4	4304285	OIL TROUGH		1	BEGINNING WITH S/N K0117453	K-3914
5	X-8-0801M	CAPSCREW		3	M8 X 1.25 X 12MM	K-3914
6	4305220	BUSHING (SHIFT ROD)	2770085	1		K-3914
7	4304187	OIL DAM PLATE		1		K-3914
8	4304197	COVER		1		
9	4304199	SPRING		1		
10	4304602	BREATHER	23605	1	1/4" NPT	
11	X-8C- 1014M	CAPSCREW & WASHER		16	M10 X 35.0MM	
12	X-8C- 1023M	CAPSCREW & WASHER		2	M10 X 55.0MM	
13	K-3549	NO LONGER AVAILABLE (SEE NOTES)	4304174 ,S - 2830	1	ORDER S-2818RX AND S-2966 FOR UNITS PRIOR TO S/N K0126982	
13	S-2966	CASE ASSY - FORWARD	4304362	1	BEGINNING WITH S/N K0126982	
14	5577504	STUD		2	M16 X 2 X 52MM	
15	X-1-1606M	SELF LOCKING HEX NUT	X 1 1601M ,X 1 1603M,X-1-1605M	2	M16 X 1.5	
16	X-10-1005	WASHER		2		
18	4302748	REVERSE SWITCH		1		
19	4304165	PIN		1		
20	4304023	PLUG	4303747	2	1-1/16" MAGNETIC, O-RING INCLUDED ONE FOR FILL OPENING ONE FOR DRAIN OPENING	
21	4302749	NEUTRAL SWITCH		1		
22	4304105	PIN		1		
23	4304189	OIL SEAL		1		K-3652,K-3653
24	X-1-1604M	NUT		8	M8 X 1.25	
25	X-8C- 1015M	CAPSCREW & WASHER		4	M10 X 30.0MM	
26	X-8C- 1016M	CAPSCREW & WASHER		8	M10 X 20MM	
27	4304196	SCREW		4	M10 X M8	
28	4304239	AUX COUNTERSHAFT COVER		2		
29	4305550	SIGHT PLUG (1-5/8)	4304123	1		
30	4304203	SCREW		4	M10 X M8	
31	14575	PTO COVER	4302254	1		
32	14373	MAGNET		3		S-2966
33	X-12-802	PIPE PLUG	X12 800	1	1/2"	
34	X-12-208	PIPE PLUG		3	1/8" NPT	
35	4304138	PLUNGER	4302162	1	SPLITTER DETENT	K-3408
36	4304113	COMPRESSION SPRING		1		K-3408,K-3652,K-3653
37	5568510	-O- RING		1		
38	4304129	PLUG		1		

Group: COUNTERSHAFT & BRGS(AUX)

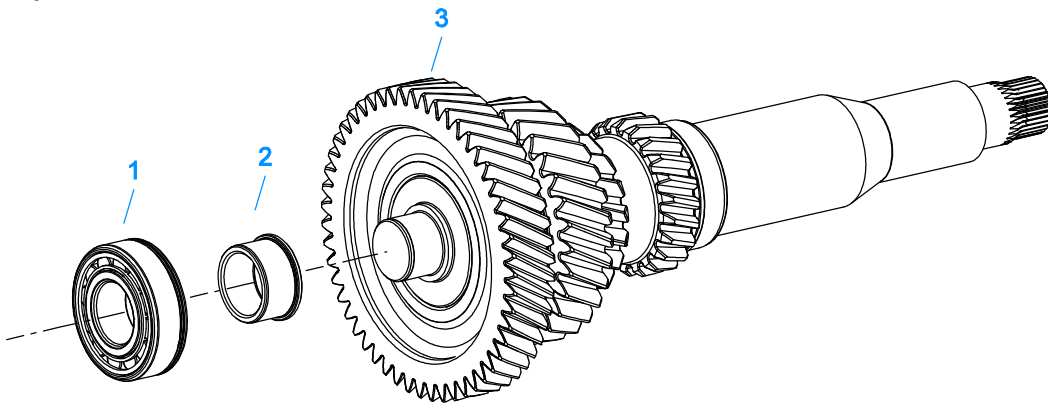


10455-6-99

COUNTERSHAFT & BRGS(AUX)

Item	Current Part	Description	Replaced Part	Qty.	Notes	Kits/Assys Where Needed
1	4304185	BEARING - INNER RACE		4		K-3652,K-3653
2	4304184	BEARING - OUTER RACE		4		K-3652,K-3653
3	A-6873	WELDED COUNTERSHAFT ASSY		2	C/S 4304159 - S/G 4304131	
4	4304214	BEARING		2		K-3652,K-3653
5	4304217	RETAINING RING		2		K-3652,K-3653

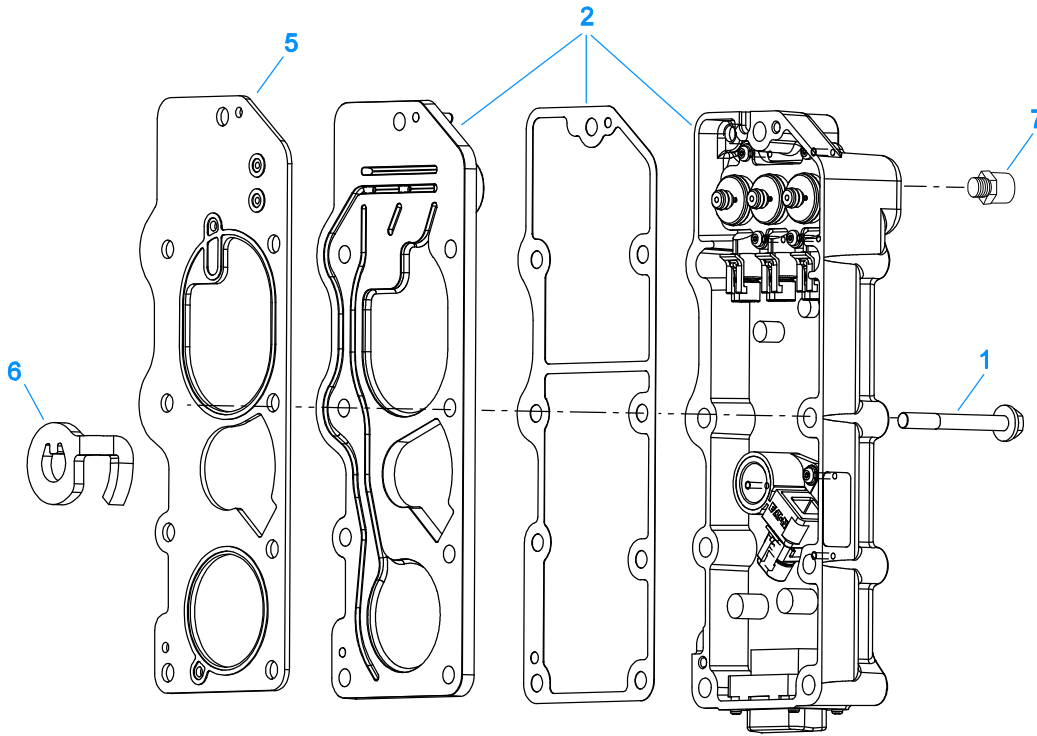
Group: COUNTERSHAFT ASSY



10366-6-99

COUNTERSHAFT ASSY

Item	Current Part	Description	Replaced Part	Qty.	Notes	Kits/Assys Where Needed
1	K-3691	ROLLER BEARING KIT	4305338	2		
2	4304212	BEARING - INNER RACE		2		K-3578,K-3652,K-3653
3	A-7217	WELDED COUNTERSHAFT ASSY	4304279 ,4304283 ,A - 7166	2	C/S 4304258 - D/G 4304257 4TH/G - 4304283	K-3578

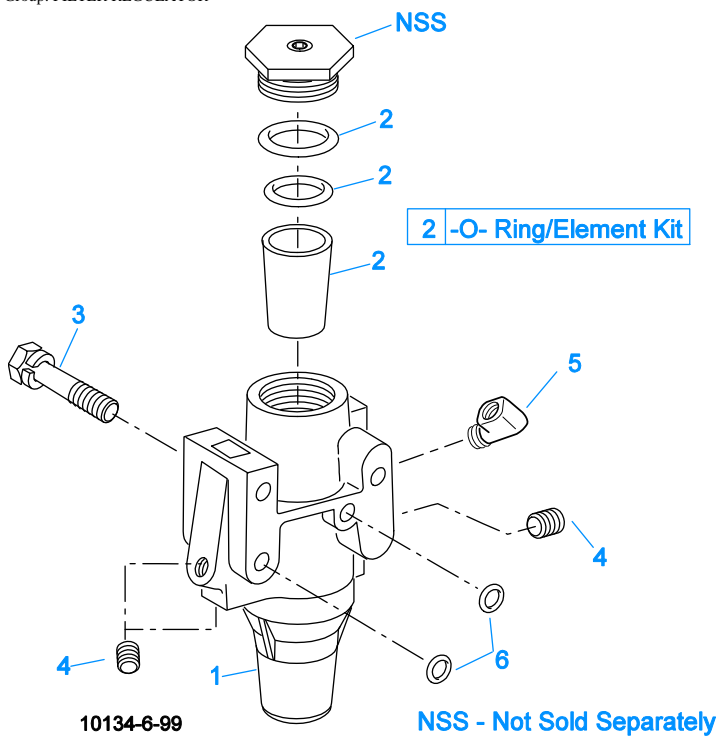


20315-6-99

ELECTRONIC CONTROL UNIT

Item	Current Part	Description	Replaced Part	Qty.	Notes	Kits/Assys Where Needed
1	X-8C-0809M	CAPSCREW & WASHER		9	M8 X 70.0MM	
2	S-2818RX	REMAN EXCHANGE LIGHTNING ECU	4304198 ,A - 6893 ,A - 6997 ,A - 6998 ,A - 6999,S-2818	1		
5	4304186	SEAL PLATE		1		K-3652,K-3653
6	4304175	WASHER		1		
7	7935	BREATHER		1		

Group: FILTER REGULATOR

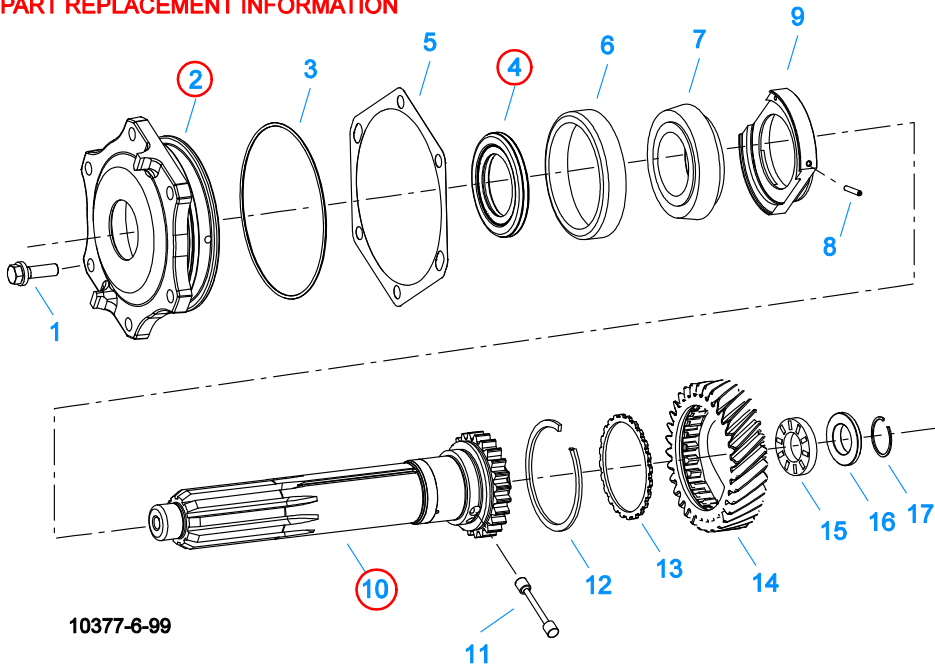


FILTER REGULATOR

Item	Current Part	Description	Replaced Part	Qty.	Notes	Kits/Assys Where Needed
1	A-5373	FILTER REGULATOR ASSY	22677	1	77 - 82 PSI	
2	K-1698	-O- RING/ELEMENT KIT		1	FOR FILTER REGULATOR	
3	X-8C-0604M	CAPSCREW & WASHER		2	M6 X 55.0MM	
4	X-12-208	PIPE PLUG		3	1/8" NPT	
5	4304778	ELBOW		1	90 DEGREE	
6	15114	-O- RING		2		

○ — IMPORTANT

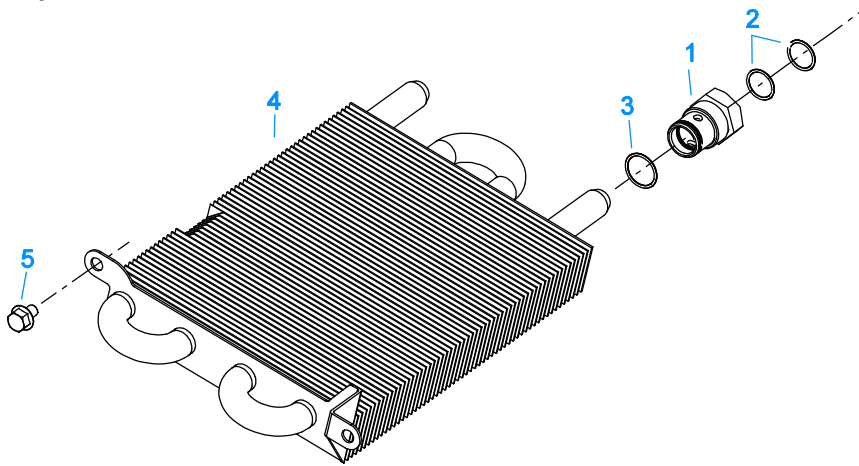
DUE TO DESIGN CHANGES, PLEASE VERIFY THE PART NUMBER ON THE COMPONENT TO ENSURE PROPER PART REPLACEMENT INFORMATION



INPUT SHAFT & DRIVE GEAR

Item	Current Part	Description	Replaced Part	Qty.	Notes	Kits/Assys Where Needed
1	X-8C-1014M	CAPSCREW & WASHER		6	M10 X 35.0MM	
2	K-3764	CLUTCH INSTALLATION KIT	4304102 ,4304125 ,S - 2968,K-3654	1	UNITS BUILT PRIOR TO S/N K0300427	
2	S-2992	FRONT BRG COVER ASSY	4305123	1	UNITS BUILT BEGINNING WITH S/N K0300427	K-3764
3	5568540	NO LONGER AVAILABLE		1	CAN ONLY BE USED WITH 4304233 FRONT BEARING COVER, ORDER S-2968	
3	5568545	O-RING		1	CAN ONLY BE USED WITH 4305123 FRONT BEARING COVER	K-3575,S-2992
4	4305625	OIL SEAL	4304125	1	UNITS BUILT BEGINNING WITH S/N K0300427	K-3652,K-3653,S-2992
4	K-3764	CLUTCH INSTALLATION KIT	4304102 ,4304125 ,S - 2968,K-3654	1	UNITS BUILT PRIOR TO S/N K0300427	
5	K-3575	SHIM KIT	K - 3402	1		K-3652,K-3653,K-3764
6	5557503	BEARING CUP		1		K-3652,K-3653,S-2992
7	5557005	BEARING CONE		1		K-3652,K-3653,K-3764
8	X-11-0400M	SCREW		1		K-3764
9	4304201	ECCENTRIC PUMP ASSY		1		K-3652,K-3764
10	4305624	INPUT SHAFT	4304102	1	UNITS BUILT BEGINNING WITH S/N K0300427	K-3652,K-3764
10	K-3764	CLUTCH INSTALLATION KIT	4304102 ,4304125 ,S - 2968,K-3654	1	UNITS BUILT PRIOR TO S/N K0300427	
11	4304103	PISTON PUMP		1		K-3652,K-3764
12	4304124	SNAP RING		1		
13	4305542	MAIN DRIVE GEAR WASHER	4304218	1		
14	4304266	MAIN DRIVE GEAR	4304110	1		K-3578,K-3579
15	4304181-BOX	BEARING	4304181	1		K-3652,K-3653
16	4304137-BOX	SPHERICAL WASHER	4304137	1		K-3408
17	4304101	SNAP RING		1		K-3408,K-3652,K-3653

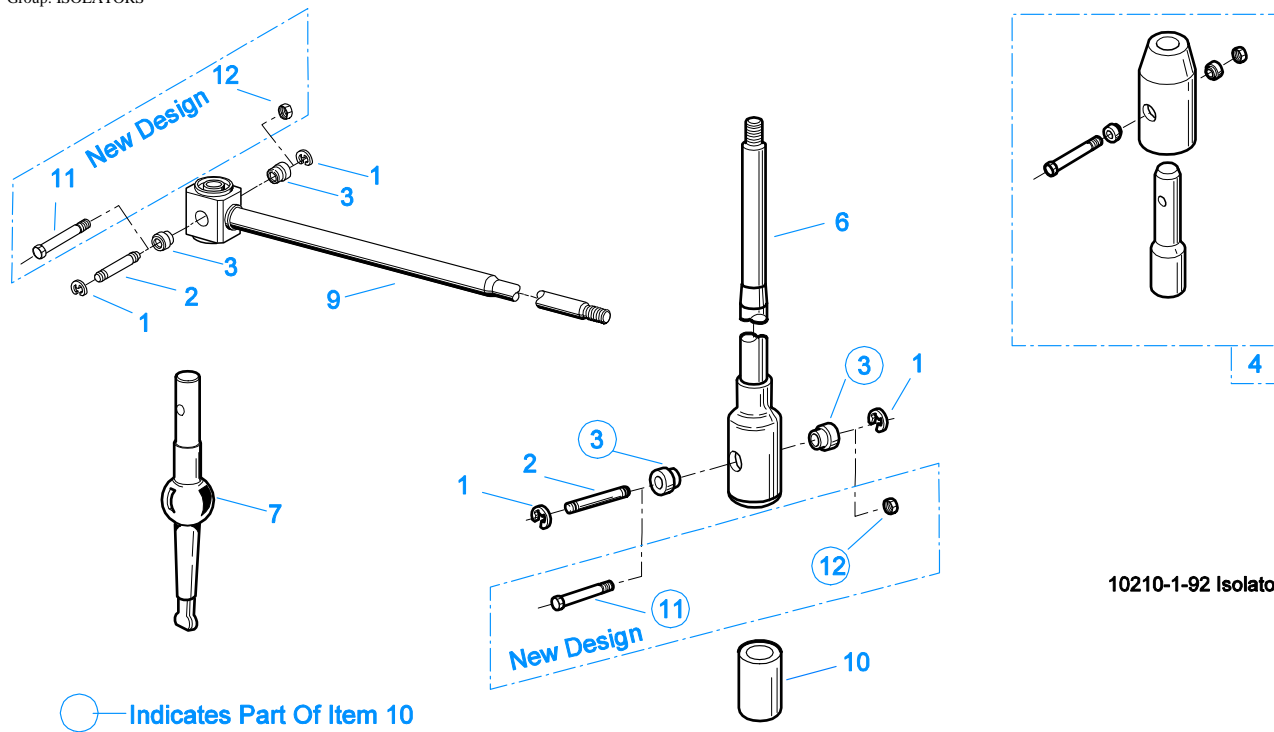
Group: INTEGRAL OIL COOLER



10536-6-99

INTEGRAL OIL COOLER

Item	Current Part	Description	Replaced Part	Qty.	Notes	Kits/Assys Where Needed
1	A-6899	FITTING ASSY	4304240	2	7/8" - INCLUDES ITEM 2 & 3	
2	20875	-O- RING		4		A-6899
3	5568538	-O- RING		2		A-6899
4	4304127	OIL COOLER		1		
5	X-8-0801M	CAPSCREW		2	M8 X 1.25 X 12MM	K-3914



10210-1-92 Isolator

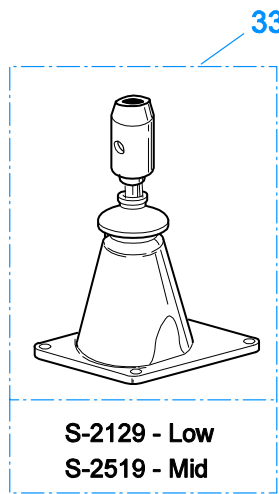
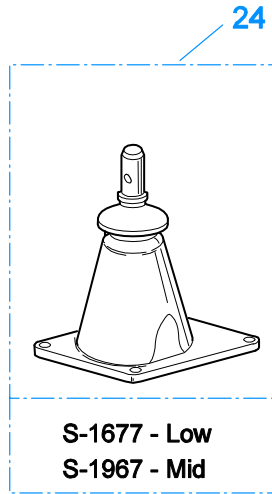
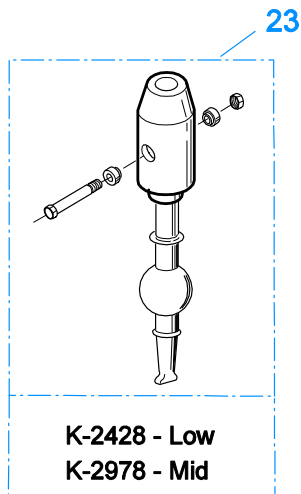
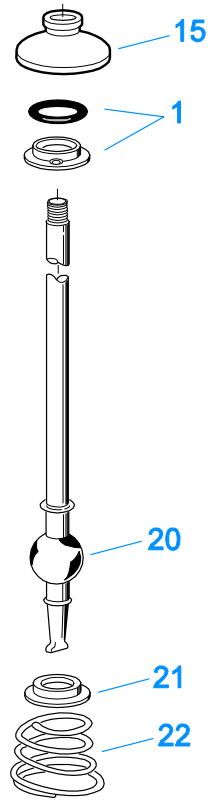
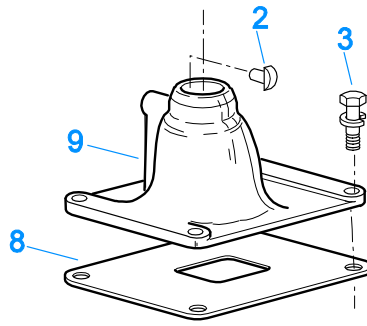
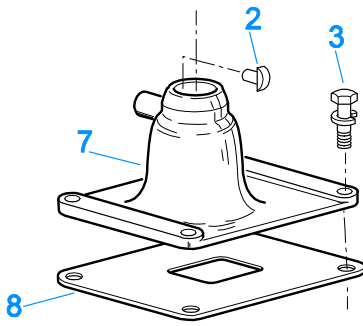
ISOLATORS

Item	Current Part	Description	Replaced Part	Qty.	Notes	Kits/Assys Where Needed
1	19124	-E- RING		2		
2	K-3467	PIN REPLACEMENT KIT	21245	1		
3	21246	BUSHING		2		K-2428,K-2978,K-3399,S-2129,S-2519
4	S-1794	ISOLATOR ASSY		1		
6	21247	LEVER		1	STRAIGHT 18.67"	
7	21235	STUB LEVER		1	LOW TOWER	K-2428,S-1677
7	4301168	STUB LEVER		1	MID TOWER	K-2978
9	21767	90 DEG LEVER		1	STRAIGHT 33"	
10	K-3399	ISOLATOR BUSHING KIT	21244 ,23311	1		
11	X-8-560	SCREW		1		
12	X-9-503	NUT		1		

KITS & ASSEMBLIES

Item	Current Part	Description	Replaced Part	Qty.	Notes	Kits/Assys Where Needed
K-1476		SHIFT LEVER HSG	4530 ,17163 ,18298 ,4304905 ,A - 4437	1	LOW TOWER	
K-1698		-O- RING/ELEMENT KIT		1	FOR FILTER REGULATOR	
K-2428		LEVER REPLACEMENT KIT		1	LOW TOWER	
K-2977		SHIFT LEVER HSG KIT	4301167 ,4304907 ,A - 6040	1	MID TOWER	
K-2978		LEVER REPLACEMENT KIT		1	MID TOWER	
K-3376		O-RING & WASHER KIT	4301211	1		
K-3399		ISOLATOR BUSHING KIT	21244 ,23311	1		
K-3405		REPAIR KIT - RANGE		1		
K-3406		REPAIR KIT - SPLITTER		1		
K-3407		REPAIR KIT - RANGE/SPLITTER		1		K-3652,K-3653
K-3408		SMALL PARTS KIT		1		
K-3454		SPEED SENSOR KIT	A - 6398 ,A - 6724	1	SINGLE PICK-UP (2 PIN)	
K-3455		SPEED SENSOR KIT, DUAL	A - 7046 ,A - 7518	1	DUAL PICK-UP (4 PIN)	
K-3467		PIN REPLACEMENT KIT	21245	1		
K-3492		SYNCHRONIZER KIT	K - 2446	1		
K-3497		SYNCHRONIZER REPLACEMENT KIT	K - 3200	1	SLIDING CLUTCH INCLUDED IN KIT	
K-3523		SPEEDO PLUG KIT	4302707	1		
K-3546		YOKE UPDATE KIT	4304136 ,4304237	1	1ST & REVERSE, PRIOR TO S/N K0143904	
K-3549		NO LONGER AVAILABLE (SEE NOTES)	4304174 ,S - 2830	1	ORDER S-2818RX AND S-2966 FOR UNITS PRIOR TO S/N K0126982	
K-3575		SHIM KIT	K - 3402	1		K-3652,K-3653,K-3764
K-3578		LIGHTNING UPDATE KIT	4304120 ,4304162 ,4304251	1	PRIOR TO S/N K0028432	
K-3579		LIGHTNING UPDATE KIT	4304120 ,4304162 ,4304251	1	BETWEEN S/N K0028432 THRU K080725	
K-3617		OIL SEAL KIT	4302322 ,4302323	1		
K-3650		RTV SERVICE KIT	5564515 5564525	1	FLANGE SEALANT	K-3617,K-3652,K-3653,S-2831,S-2857
K-3652		BASIC OVERHAUL KIT	K - 3409	1		
K-3653		BASIC REBUILD KIT	K - 3410	1	FOR UNITS BUILT PRIOR TO S/N K0300427 YOU MUST ALSO ORDER A 4305624 INPUT SHAFT, FOR UNITS BUILT BEGINNING WITH S/N K0300427 YOU ONLY NEED TO ORDER K-3653	
K-3764		CLUTCH INSTALLATION KIT	4304102 ,4304125 ,S - 2968,K-3654	1	UNITS BUILT PRIOR TO S/N K0300427	
K-3914		CLUTCH HOUSING SERVICE KIT	4304273,A-7326	1	NON-NODAL MOUNT - ALUMINUM - HYDRAULIC	
S-1794		ISOLATOR ASSY		1		
S-2129		SHIFT LEVER HSG ASSY		1	LOW TOWER	
S-2501		SPEEDO ROTOR ASSY	4302242	1	MAGNETIC	
S-2519		SHIFT LEVER HSG ASSY	S - 2919	1	MID TOWER	
S-2810		MAINSHAFT ASSY	4304104	1		
S-2818RX		REMAN EXCHANGE LIGHTNING ECU	4304198 A - 6893 A - 6997 ,A - 6998 ,A - 6999,S-2818	1		
S-2827		MAINSHAFT ASSY - AUX.	4304156	1		
S-2831		REAR BEARING COVER ASSY	4304109 ,4304182	1	ONE PUSH-IN SENSOR OPENING (10.00) TWO THREADED SENSOR OPENINGS (4:00/8:00)	
S-2857		REAR BEARING COVER ASSY	4304215	1	THREE PUSH-IN SENSOR OPENINGS (10:00/4:00/8:00)	
S-2966		CASE ASSY - FORWARD	4304362	1	BEGINNING WITH S/N K0126982	
S-2992		FRONT BRG COVER ASSY	4305123	1	UNITS BUILT BEGINNING WITH S/N K0300427	K-3764

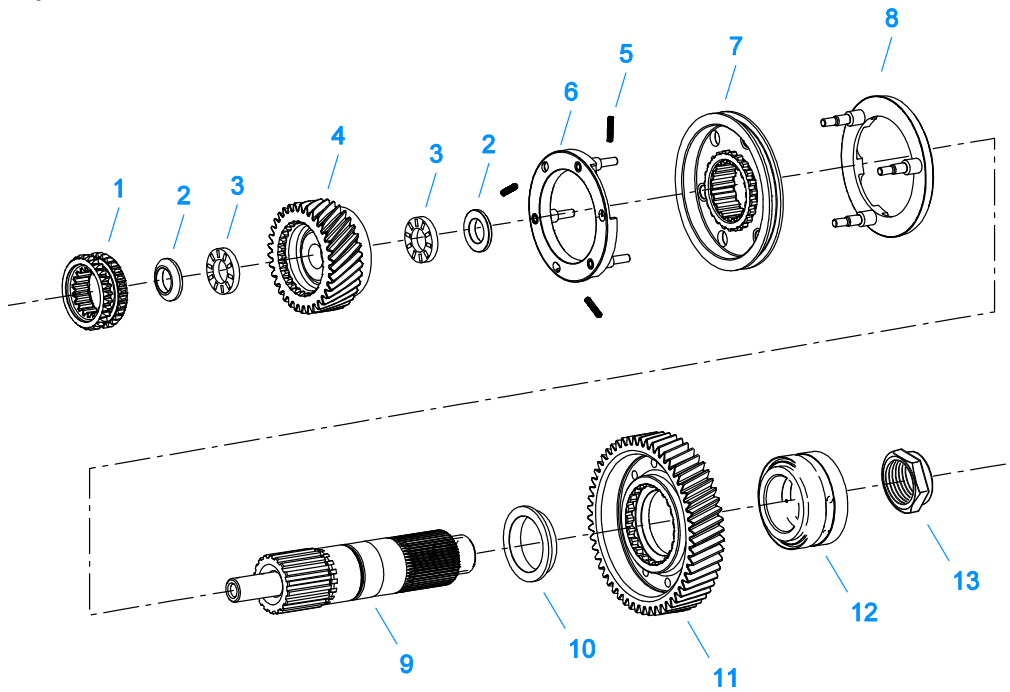
Group: LEVERS/HOUSINGS



10208-6-99

LEVERS/HOUSINGS

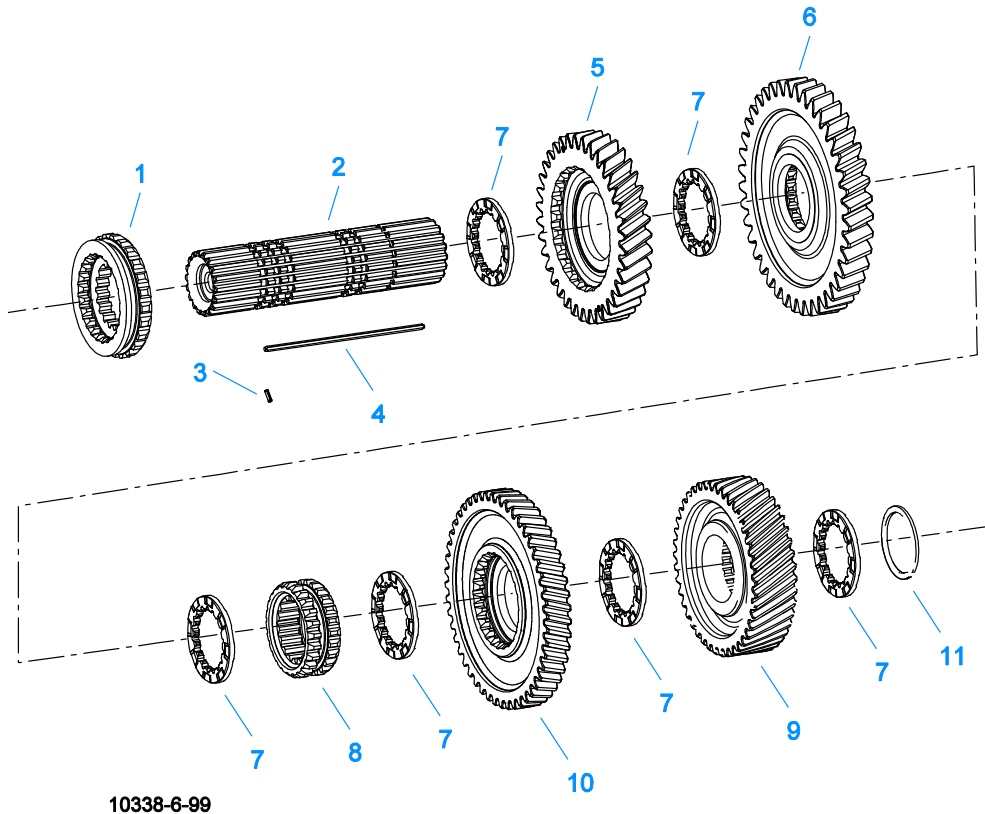
Item	Current Part	Description	Replaced Part	Qty.	Notes	Kits/Assys Where Needed
1	K-3376	O-RING & WASHER KIT	4301211	1		
2	18299	PIN		1		K-1476,K-2977,S-1677
3	X-8C-1015M	CAPSCREW & WASHER		4	M10 X 30.0MM	
7	K-1476	SHIFT LEVER HSG	4530 ,17163 ,18298 ,4304905 ,A - 4437	1	LOW TOWER	
8	4305294	GASKET	4303431	1		K-1476,K-2428,K-2977,K-2978,S-1677,S-1967,S-2129,S-2519
9	K-2977	SHIFT LEVER HSG KIT	4301167 ,4304907 ,A - 6040	1	MID TOWER	
15	10427	BOOT		1		K-1476,K-2977,S-1677
20	17600	GEAR SHIFT LEVER		1	STRAIGHT - LOW 21-1/2"	
21	2538	RETAINER		1		K-1476,K-2977,S-1677
22	2536	SPRING		1		K-1476,K-2977,S-1677
23	K-2428	LEVER REPLACEMENT KIT		1	LOW TOWER	
23	K-2978	LEVER REPLACEMENT KIT		1	MID TOWER	
24	S-1677	SHIFT TOWER ASSY		1	LOW TOWER	
24	S-1967	SHIFT TOWER ASSY		1	MID TOWER	
33	S-2129	SHIFT LEVER HSG ASSY		1	LOW TOWER	
33	S-2519	SHIFT LEVER HSG ASSY	S - 2919	1	MID TOWER	



10439-6-99

MAINSHAFT & SYNCHRO(AUX)

Item	Current Part	Description	Replaced Part	Qty.	Notes	Kits/Assys Where Needed
1	4304140	SLIDING CLUTCH		1		
2	4304137-BOX	SPHERICAL WASHER	4304137	2		K-3408
3	4304181-BOX	BEARING	4304181	2		K-3652,K-3653
4	4304161	AUXILIARY SPLITTER GEAR		1		
5	14897	SPRING		3		K-3492,K-3497,K-3652,K-3653
6	A-7331	SYNCHRONIZER ASSY	4304396 4304397 A - 5917	1	HI RANGE	K-3492,K-3497
7	4301840	SLIDING CLUTCH	4303386	1		K-3497
8	A-7254	SYNCHRONIZER ASSEMBLY	A - 4937 A - 5876	1	LO RANGE	K-3492,K-3497
9	S-2827	MAINSHAFT ASSY	4304156	1		
10	4304139	SPACER		1		
11	4304163	REDUCTION GEAR		1		
12	5556505	BEARING		1		K-3652,K-3653
13	K-4122	HEX FLANGE CRIMPED NUT KIT	4302321,4306520	1		

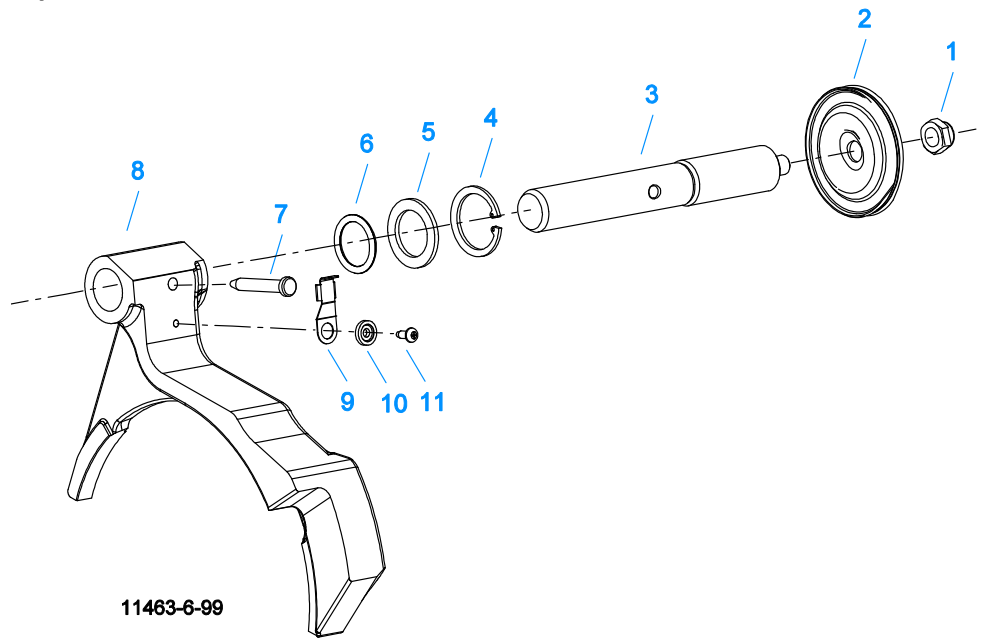


MAINSHAFT ASSY

Item	Current Part	Description	Replaced Part	Qty.	Notes	Kits/Assys Where Needed
1	4304267	SLIDING CLUTCH	4304242	1		K-3578,K-3579
2	S-2810	MAINSHAFT ASSY	4304104	1		
3	62504	ROLL PIN		1		S-2810
4	4304114	KEY		1		K-3408
5	4304263	4TH GEAR-MAINSHAFT		1	BEGINNING WITH S/N K0080725	K-3578,K-3579
5	K-3578	LIGHTNING UPDATE KIT	4304120 ,4304162 ,4304251	1	PRIOR TO S/N K0028432	
5	K-3579	LIGHTNING UPDATE KIT	4304120 ,4304162 ,4304251	1	BETWEEN S/N K0028432 THRU K080725	
6	4304280	1ST GEAR-MAINSHAFT	4304121	1		K-3578,K-3579
7	4304128	WASHER		6		K-3408
8	4304132	SLIDING CLUTCH		1		
9	4304230	AUXILIARY DRIVE GEAR		1		
10	4304130	REVERSE GEAR- MAINSHAFT		1		
11	16980	SNAP RING		1		

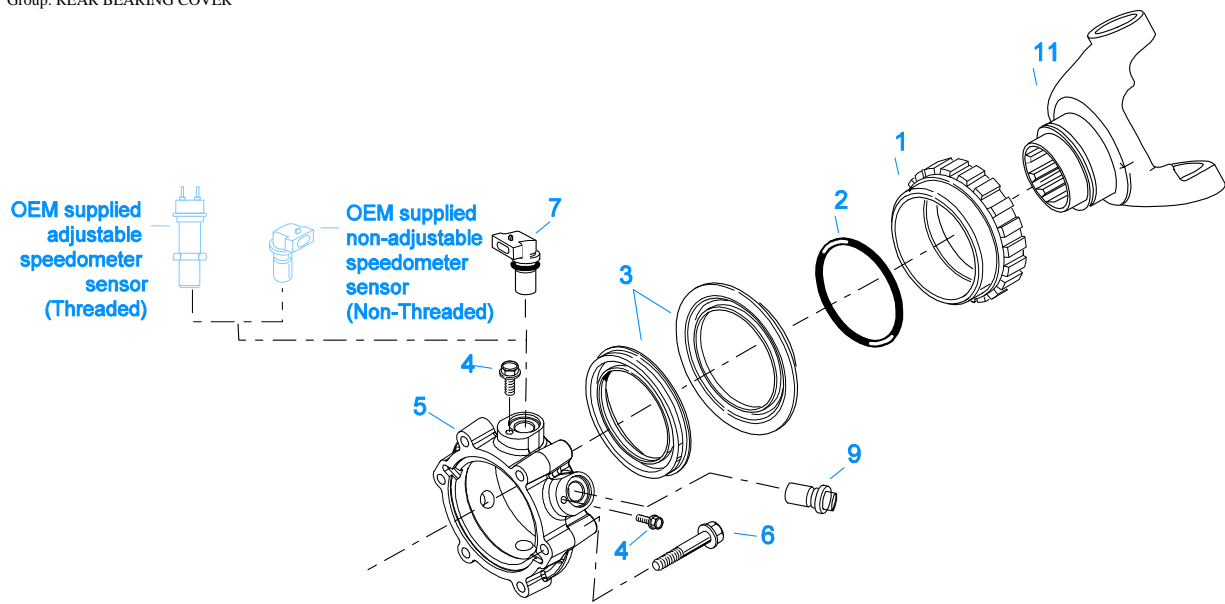
MISCELLANEOUS

Item	Current Part	Description	Replaced Part	Qty.	Notes	Kits/Assys Where Needed
5586270		SHIFT DIAGRAM LABEL	5586257	1		
71203		SILICONE LUBE		1	8 OZ (236.59 CC)-FLEET SIZE	
71204		ADHESIVE SEALANT		1	0.5 CC (SINGLE APPLICATION SIZE)	
71205		SEALANT		1	2 CC (SINGLE APPLICATION SIZE)	
71206		SILICONE LUBE		1	4 CC (SINGLE APPLICATION SIZE)	K-2428,K-2978,K-3405,K-3406,K-3407,K-3575,S-2992
K-3650		RTV SERVICE KIT	5564515 5564525	1	FLANGE SEALANT	K-3617,K-3652,K-3653,S-2831,S-2857



RANGE CYLINDER

Item	Current Part	Description	Replaced Part	Qty.	Notes	Kits/Assys Where Needed
1	X-1-1001M	NUT		1	M10 X 1.5 HEX	
2	4304111	PISTON		1		K-3405,K-3407
3	4304172	YOKE BAR		1		
4	14767	SNAP RING		1		K-3405,K-3407
5	4304149	WASHER		1		
6	5568528	-O- RING		1		K-3405,K-3406,K-3407
7	4304158	PIN		1		
8	A-7102	RANGE YOKE ASSY	4304232	1		
9	4304171	RETAINER		1		A-7102,A-7103
10	4304188	STEP WASHER	4304166	1		A-7102,A-7103
11	X-13-210	SCREW		1		

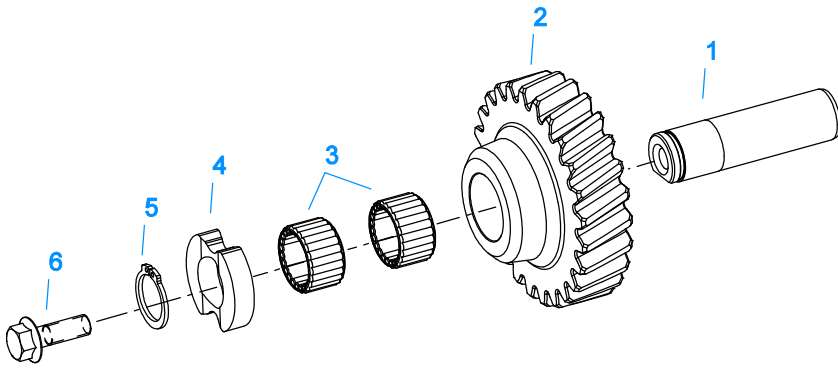


11403-6-99

REAR BEARING COVER

Item	Current Part	Description	Replaced Part	Qty.	Notes	Kits/Assys Where Needed
1	S-2501	SPEEDO ROTOR ASSY	4302242	1	MAGNETIC	
2	5568511	-O- RING		1		K-3617,S-2501
3	K-3617	OIL SEAL KIT	4302322 ,4302323	1		
4	X-8-0801M	CAPSCREW		3	M8 X 1.25 X 12MM USE 1 W/S-2831 OR USE 3 W/S-2857	K-3914
5	S-2831	REAR BEARING COVER ASSY	4304109 ,4304182	1	ONE PUSH-IN SENSOR OPENING (10:00) TWO THREADED SENSOR OPENINGS (4:00/8:00)	
5	S-2857	REAR BEARING COVER ASSY	4304215	1	THREE PUSH-IN SENSOR OPENINGS (10:00/4:00/8:00)	
6	X-8-1008M	HEX SCREW	X 8C 1024M	6	M10 X 80.0MM	
7	K-3454	SPEED SENSOR KIT	A - 6398 ,A - 6724	1	SINGLE PICK-UP (2 PIN)	
7	K-3455	SPEED SENSOR KIT, DUAL	A - 7046 ,A - 7518	1	DUAL PICK-UP (4 PIN)	
9	20224	PLUG-THREADED		2	USE W/S-2831	S-2831
9	K-3523	SPEEDO PLUG KIT	4302707	2	USE W/S-2857	
11	5505543	YOKE-1710 HALF ROUND		1		
11	5505545	YOKE-1760 HALF ROUND		1		
11	5505547	YOKE-1810 HALF ROUND		1		
11	5505553	YOKE-RPL25 HALF ROUND		1		
11	5505571	YOKE-SPL170 HALF ROUND		1		
11	5505572	YOKE-SPL250 HALF ROUND		1		
11	5505578	YOKE-92N HALF ROUND		1		

Group: REVERSE IDLER

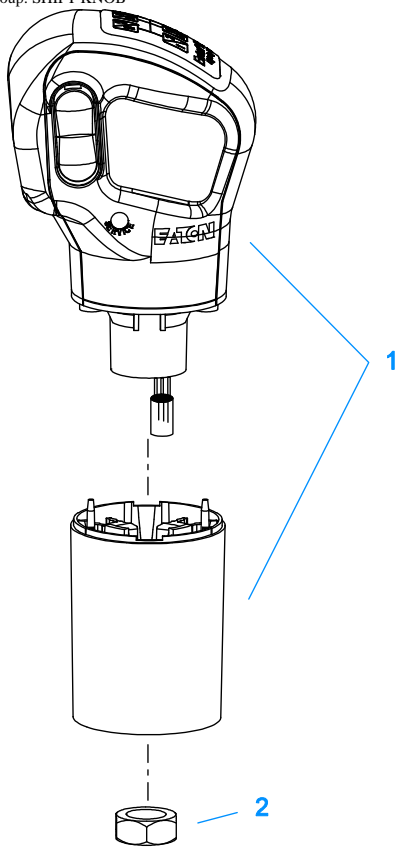


11384-6-99

REVERSE IDLER

Item	Current Part	Description	Replaced Part	Qty.	Notes	Kits/Assys Where Needed
1	4304210	REVERSE IDLER SHAFT		2		
2	4304220	REVERSE IDLER GEAR		2		
3	4304202	BEARING		4		K-3652,K-3653
4	4304106	WASHER		2		
5	4302080	SNAP RING		2		K-3406,K-3407
6	X-8-1004M	CAPSCREW		2	M10 X 1.5 X 30MM	

Group: SHIFT KNOB

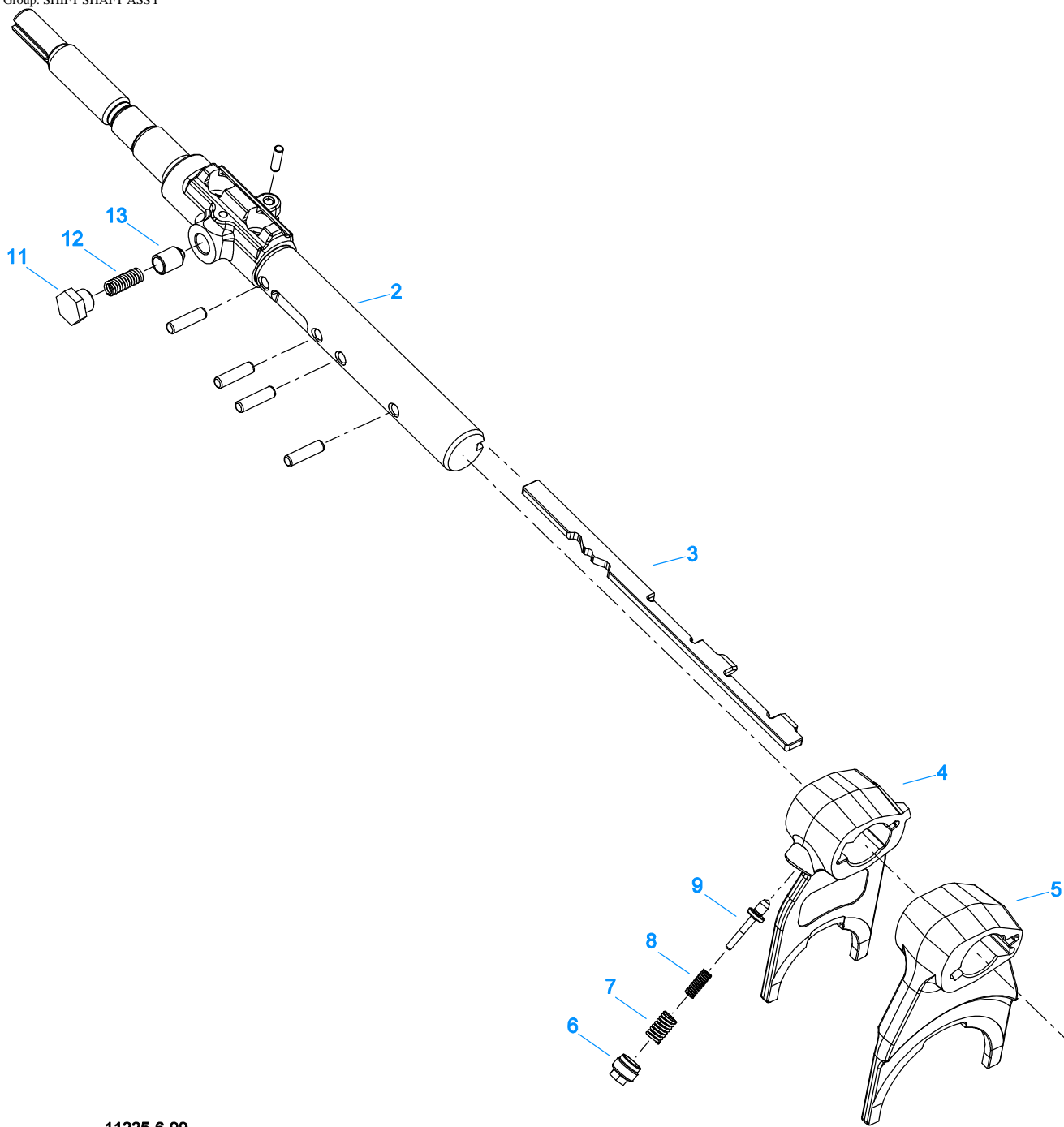


11099-6-99

SHIFT KNOB

Item	Current Part	Description	Replaced Part	Qty.	Notes	Kits/Assys Where Needed
1	A-7479	SHIFT KNOB ASSEMBLY	4304247 ,4305225 ,4305308	1		
2	X-9-802	NUT		1	1/2"-13	

Group: SHIFT SHAFT ASSY

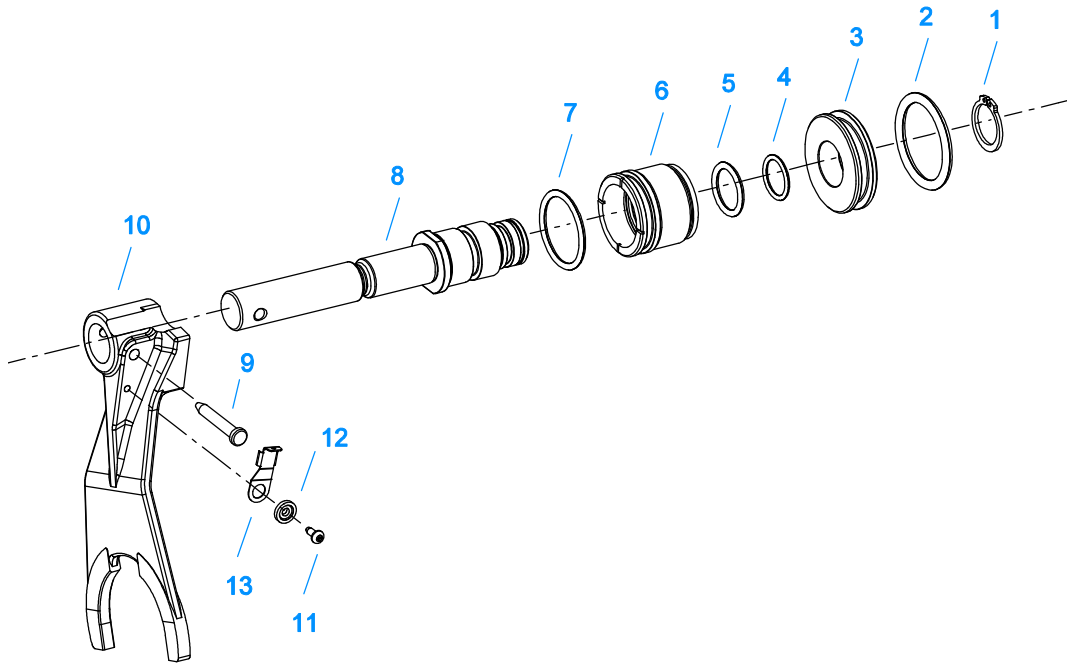


11225-6-99

SHIFT SHAFT ASSY

Item	Current Part	Description	Replaced Part	Qty.	Notes	Kits/Assys Where Needed
2	A-6927	SHIFT SHAFT ASSY	4304216	1	ALL REQUIRED PINS INCLUDED	
3	4304107	KEY		1		
4	4305138	YOKE		1		K-3546
4	K-3546	YOKE UPDATE KIT	4304136 ,4304237	1	1ST & REV, BEGINNING WITH S/N K0143904	
5	4304265	YOKE		1	1ST & REVERSE, PRIOR TO S/N K0143904	
5	K-3578	LIGHTNING UPDATE KIT	4304120 ,4304162 ,4304251	1	3RD & DIRECT, BEGINNING WITH S/N K0080725	K-3578,K-3579
5	K-3579	LIGHTNING UPDATE KIT	4304120 ,4304162	1	3RD & DIRECT, PRIOR TO S/N K0028432	
5	K-3579	LIGHTNING UPDATE KIT	4304120 ,4304162	1	3RD & DIRECT, BETWEEN S/N	

Item	Current Part	Description	Replaced Part	Qty.	Notes	Kits/Assys Where Needed
6	4304136	NO LONGER AVAILABLE	,4304251	1	K0028432 THRU K0080725 CAN ONLY BE USED WITH 4304237 YOKE, ORDER K-3546	
6	4305137	PLUG - HEX HEAD		1	M18 X 1.5, CAN ONLY BE USED WITH 4305138 YOKE, BEGINNING WITH S/N K0143904	K-3546
7	4304155	SPRING		1		K-3408
8	4304133	SPRING		1		
9	4304135	PLUNGER		1		K-3408
11	4304129	PLUG		1		
12	4304113	COMPRESSION SPRING		1	STANDARD	K-3408,K-3652,K-3653
12	4304250	COMPRESSION SPRING		1	OPTIONAL - HEAVY	
13	4304138	PLUNGER	4302162	1		K-3408



11466-6-99

SPLITTER CYLINDER

Item	Current Part	Description	Replaced Part	Qty.	Notes	Kits/Assys Where Needed
1	4302080	SNAP RING		1		K-3406,K-3407
2	5568529	-O- RING	18899	1		K-3406,K-3407
3	4304176	PISTON		1		
4	19953	-O- RING		1		A-5373,K-1698,K-3406,K-3407
5	5568528	-O- RING		1		K-3405,K-3406,K-3407
6	4304194	PISTON		1		
7	22146	-O- RING		1		K-3406,K-3407
8	4304204	YOKE BAR		1		
9	4304158	PIN		1		
10	A-7103	SPLITTER YOKE ASSY	4304229	1		
11	X-13-210	SCREW		1		
12	4304188	STEP WASHER	4304166	1		A-7102,A-7103
13	4304171	RETAINER		1		A-7102,A-7103

